

Honoured with:



Cassette awning

Semina Life

Semina Life LED | Valance Plus | LED Valance Plus

Semina Life is the all-rounder among cassette-awnings. It impresses due to its modern, fresh design combined with weinor's technology tried and tested over many years. As it is such superb value for money the **Semina Life** is a real alternative to the semi-cassette. Its many technical highlights provide superb comfort and a long operating life. Whether young or old, modern or traditional: **Semina Life** is always just the right choice – in a class of its own!

SBI Ltd (Sun Blinds Installations)
www.sbiproducts.co.uk

UPDATE
june 2022

Page 74,
Figure corrected

Page 80,
Technical drawing
corrected

Pages 82 - 83,
Figures and technical
drawings adapted

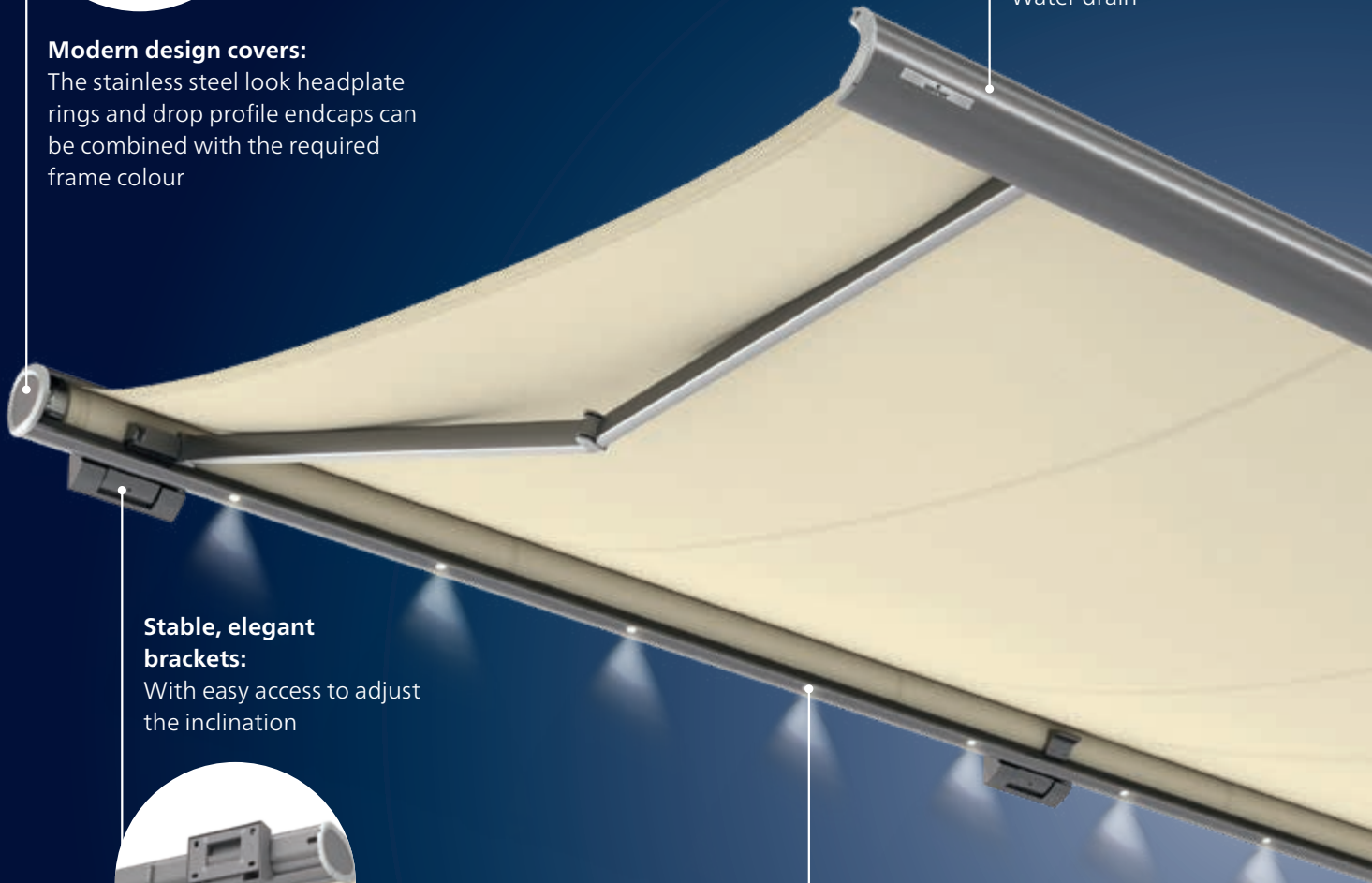


Modern design covers:

The stainless steel look headplate rings and drop profile endcaps can be combined with the required frame colour



Integrated rain gutter:
Water drain



Stable, elegant brackets:

With easy access to adjust the inclination



Wall mounting



Ceiling mounting



Rafter mounting

Semina Life LED (optional):
Integrated lighting

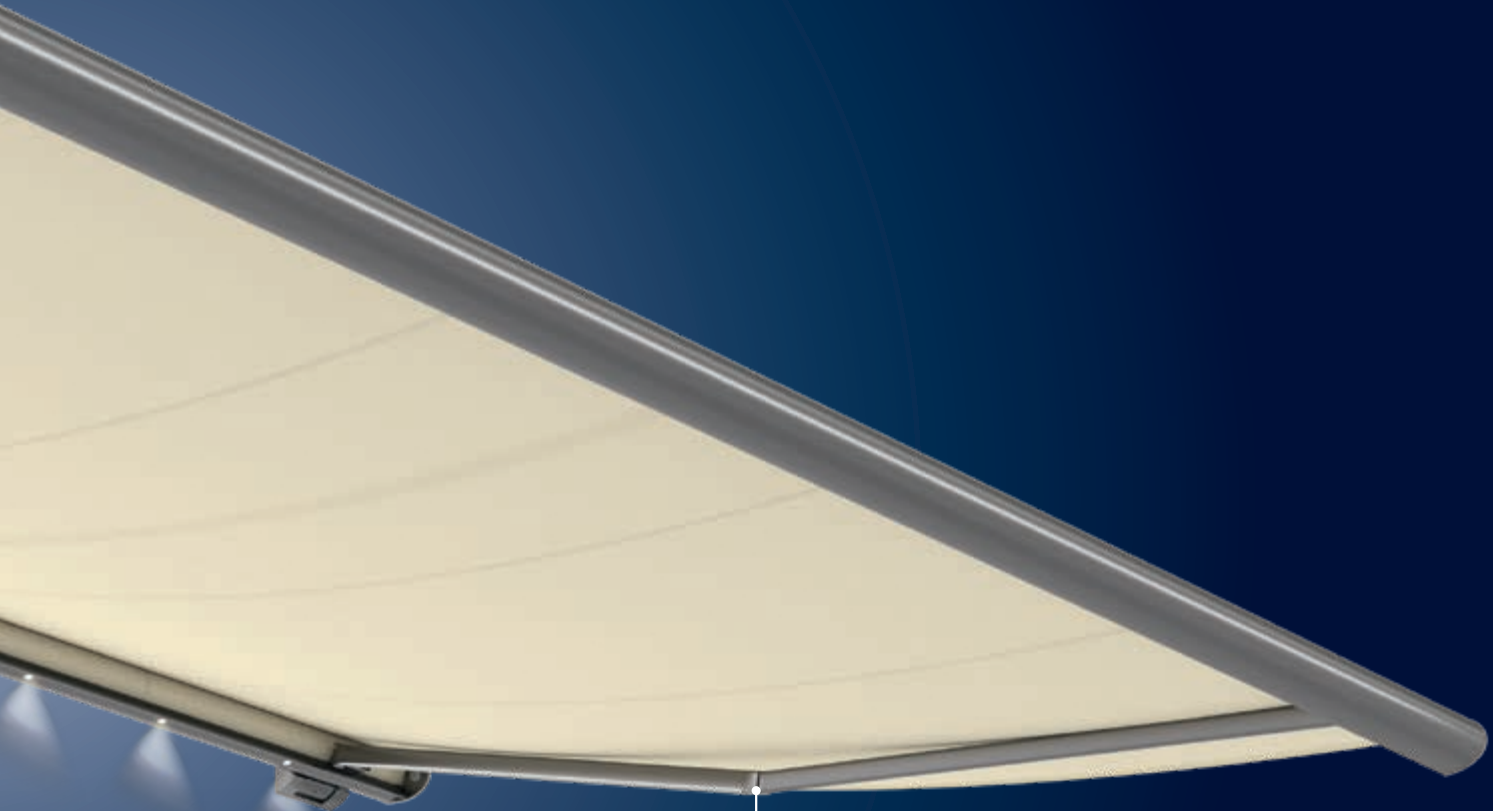


Semina Life Highlights



Valance Plus option:
Vertical privacy and sun protection

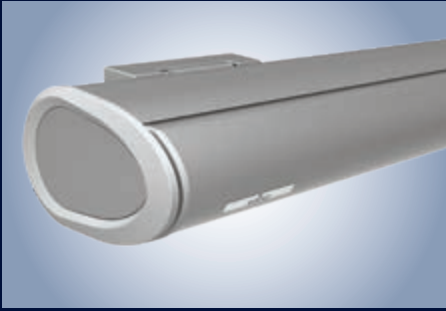
Both the awning and Valance Plus are available either with gear drive or motor drive.



weinor LongLife arm:
Very durable and low-noise



Semina Life Benefits



Cassette-awning – youthful design with state-of-the-art technology

The Semina Life cassette is chic and offers protection against the weather.

- Innovative closing of the awning causing practically no wear at all thanks to the cushioned infeed rollers
- Beautifully shaped stainless steel look aluminium headplate rings and drop profile endcaps



Semina Life LED – cassette with integrated LED lighting

The LED spotlights integrated into the cassette produce atmospheric lighting on the patio.

- 30,000 LED light hours with lowest energy consumption (85% electricity saving compared to halogen technology)
- Dimmable when used with BiConnect or Somfy io-homecontrol® radio control



Valance Plus – vertical privacy and sun protection

The Valance Plus is elegantly integrated into the awning's drop profile. It provides privacy and glare protection even with a low-lying sun.

- Continuously extendable up to 210 cm
- Patented weinor OptiFlow-System® to keep fabric ideally positioned and to close the drop profile safely



Two-part bracket cover – simple angle of pitch adjustment

The lower part of the beautifully shaped cover can be easily removed. As a result there is very easy access to the screws for the angle of pitch adjustment. The pitch in the brackets is preset at the factory for easy installation.

Semina Life Technology

01

| Semina Life versions | Semina Life | Semina Life LED |
|---|--|--|
| Technology | | |
| Max. width | 650 cm | 650 cm |
| Max. projection | 400 cm | 400 cm |
| Cassette size (w x h) incl. standard bracket | 307 mm x 194 mm | 307 mm x 194 mm |
| Gear drive | ○ | — |
| Motor drive | ● as standard | ● as standard |
| Angle of pitch on awning | 5° to 25° (with projection from 360 cm 7° to 20°) | 5° to 25° (with projection from 360 cm 7° to 20°) |
| Installation alternatives | can be installed on walls, ceilings and rafters | |
| LED lighting (separate spotlights) | — | ● integrated into the awning's cassette |
| OptiNut pipe | ● as standard | ● as standard |
| LongLife arm | ● as standard | ● as standard |
| Valance Plus option | | |
| Max. width | 600 cm | 600 cm |
| Max. awning projection | 350 cm | 350 cm |
| Cassette size (w x h) | 367 x 194 mm | 367 x 194 mm |
| Gear drive | ○ | ○ |
| Motor drive | ● as standard | ● as standard |
| Angle of pitch on awning | 10° to 20° | 10° to 20° |
| Valance Plus projection (h) | 100 cm, 150 cm, 210 cm | 100 cm, 150 cm, 210 cm |
| Patented weinor Opti-Flow-System® | ● as standard | ● as standard |
| Accessories | | |
| Tempura heating system | ○ bracket with special attachment | ○ bracket with special attachment |
| Tempura Quadra heating system | ○ | ○ |
| BiSens Agido-3V product protection sensor | ○ | ○ |
| Controls | | |
| Radio control | ○ | ○ |
| No remote | ● | ● |
| Weather sensors | | |
| Sun/wind sensor BiConnect BiSens SW-230 V | ○ | ○ |
| Sun/wind sensor solar powered BiConnect BiSens SW-Solar+ | ○ | ○ |
| Sun/wind/rain sensor BiConnect-BiSens-SWR-230V | ○ | ○ |
| Quality | | |
| Tested up to | wind resistance class 2 according to DIN 13561 (wind strength 5 on the Beaufort scale) | |

● standard ○ optional — unavailable

Semina Life LED



LED lighting – 30,000 hours of lighting with lowest energy consumption

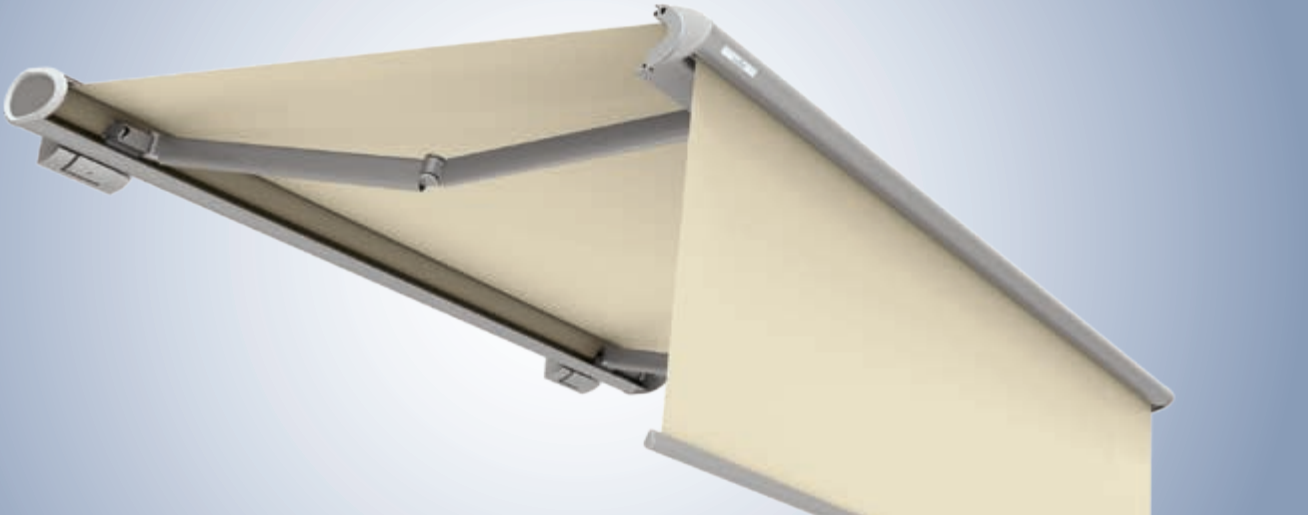
Select LED components for top weinor quality:

- Atmospheric light thanks to special glass lenses
- Visually integrated into the cassette
- Lighting remains on even when awning is retracted
- Highly energy-efficient
- Operating life of 30,000 hours
- Dimmable when used with BiConnect or Somfy io-homecontrol® radio control
- Easy to service: simply replace individual LED lights without dismantling the awning

Integrated LED lighting

| Awning width in cm | Number of separate LED spotlights | Awning width in cm | Number of separate LED spotlights |
|--------------------|-----------------------------------|--------------------|-----------------------------------|
| up to 150 | 2 | 381 – 440 | 7 |
| 151 – 220 | 3 | 441 – 490 | 8 |
| 221 – 270 | 4 | 491 – 550 | 9 |
| 271 – 330 | 5 | 551 – 650 | 10 |
| 331 – 380 | 6 | | |

Semina Life Valance Plus



More privacy thanks to vertical privacy and sun screen (optional)

The gear-operated or motorised vertical awning is elegantly integrated into the awning's front profile.

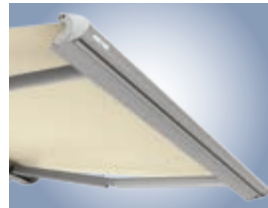
- Glare protection and privacy shield up to a maximum valance height of 210 cm
- Extends to any length
- Use Valance Plus with an awning angle of pitch between 10° and 20°
- Valance Plus cannot be retrofitted
- Valance Plus with motor only with motorised awning



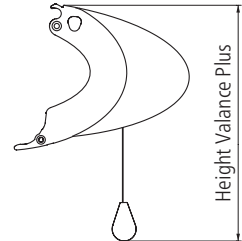
Motorised



Gear drive



Closed



Maximum awning size for Valance Plus

| Motorised main drive | | | |
|----------------------|--------|------------|--------|
| Width | 600 cm | Projection | 350 cm |
| Gear main drive | | | |
| Width | 500 cm | Projection | 350 cm |
| Width | 600 cm | Projection | 300 cm |

V-shaped waves

On wider units and units which are mounted with special facades technology (distance tube, spreader plates, into insulated walls) symmetric v-shaped waves can occur from the sides. Reason for this, are the weight and structure on the fabric and the bending of the roller tube, which are transferring additional load onto the main brackets and the special fixings.

Available fabrics for the Valance Plus

| | Soltis® 86, 92 | Soltis® 86, 92 | Acrylic | Perluca | | Polyester** | | | Star-Screen | Fibreglass screen | |
|----------------|-------------------|-------------------|---------|-----------|-----------|-------------|-----------|---------|-------------|-------------------|--------------|
| Pattern | unicolour | unicolour | stripes | unicolour | unicolour | unicolour | unicolour | stripes | unicolour | unicolour | |
| Roll width | 177 cm | 267 cm | 120 cm | 120 cm | 240 cm | 120 cm | 240 cm | 120 cm | 120 cm | 325 cm | max. 320 cm* |
| Valance length | | | | | | | | | | | |
| 100 cm | N | N | L | N | N | N/L | N | L | N | N | N |
| 150 cm | N | N | Q | Q | N | Q | N | Q | Q | N | N |
| 210 cm | Q | N | Q | Q | N | Q | N | Q | Q | N | - |

N Seamless: seamless fabric; structure of fabric runs crosswise to structure of awning fabric

Q Transverse seam: fabric with transverse seam; either in top or bottom third as desired; structure of fabric runs diagonally to structure of awning fabric

L Longitudinal seam: structure of fabric runs longitudinally to structure of awning fabric

- Not available

* Max. roll widths are stipulated in the collection brochure

** The following designs are not available for Valance Plus: 6-334, 6-335, 6-390, 6-397, 6-400, 6-403, 6-409, 6-410, 6-415

Please note: On the gear-driven Valance Plus, it is possible that the Valance Plus bottom rail will close unevenly.

Semina Life Controls

Update



The receiver, power supply pack and other electrical components, such as the BiConnect receiver are integrated into the cassette

The transformer box can be easily be opened for servicing purposes. The receiver, which is separate from the drive, is then easily accessible.



Exclusive retraction protection

- Co-ordinated retraction: first the Valance Plus, then the awning
- To make sure nothing gets knocked over on the terrace

weinor BiConnect radio technology

| Product | Electronics | BiConnect control | Remote receiver | Transmitter |
|------------------------------|---|--|-----------------|--|
| Semina Life | Semina Life drive | <ul style="list-style-type: none"> • BiRec receiver integrated into cassette | BiRec MA-K | <ul style="list-style-type: none"> • BiEasy 1M/5M/15M Go! hand transmitter • 1MW-3V wall transmitter |
| Semina Life LED | Semina Life drive and LED lighting | <ul style="list-style-type: none"> • BiRec combi-receiver for main drive and LED spotlights (with integrated power supply pack) integrated into cassette • Dimmable LED | BiRec MLED | <ul style="list-style-type: none"> • BiEasy 5M/15M Go! hand transmitter |
| Semina Life Valance Plus | Semina Life and Valance Plus drive | <ul style="list-style-type: none"> • BiRec combi-receiver for main drive and Valance Plus drive integrated into cassette • Table clearing protection • Gradual soft stop | BiRec MVLED | <ul style="list-style-type: none"> • BiEasy 5M/15M Go! hand transmitter |
| Semina Life LED Valance Plus | Semina Life and Valance Plus drive and LED lighting | <ul style="list-style-type: none"> • BiRec combi-receiver for main drive, Valance Plus drive and LED spotlights (with integrated power supply pack) integrated into cassette • Dimmable LED • Table clearing protection | BiRec MVLED | <ul style="list-style-type: none"> • BiEasy 5M/15M Go! hand transmitter |
| Accessories (optional) | Tempura/Tempura Quadra heating system | <ul style="list-style-type: none"> • Dimmable, additional receiver required • Installation of the receiver in the design bar provided for this purpose or the Tempura Quadra box | BiRec HD | <ul style="list-style-type: none"> • BiEasy 5M/15M Go! hand transmitter |

Requires: awning with BiConnect remote control and sensors require a BiEasy 1M, 5M or 15M Go!

Somfy io-homecontrol® radio technology

| Product | Electronics | Somfy io-homecontrol control | Remote receiver | Transmitter |
|------------------------------|---|---|--|--|
| Semina Life | Semina Life drive | <ul style="list-style-type: none"> Somfy io remote-controlled motor integrated into cassette | Somfy io remote-controlled motor | <ul style="list-style-type: none"> Situo 1 io Pure II/Situo 5 io Pure II/Situo 5 Variation A/M io Pure II hand transmitter Smoove 1 io Pure Shine wall transmitter |
| Semina Life LED | Semina Life drive and LED lighting | <ul style="list-style-type: none"> Somfy io remote-controlled motor integrated into cassette Additional Somfy receiver for the LED spotlights (with downstream power supply pack) integrated into cassette LED dimmable | Somfy io remote-controlled motor and io Lighting Receiver Variation (dimmable) | <ul style="list-style-type: none"> Situo 5 io Pure II/Situo 5 Variation A/M io Pure II hand transmitter |
| Semina Life Valance Plus | Semina Life and Valance Plus drive | <ul style="list-style-type: none"> Somfy io remote-controlled motor integrated into cassette and drop profile No retraction protection in windy conditions | Somfy io remote-controlled motors | <ul style="list-style-type: none"> Situo 5 io Pure II/Situo 5 Variation A/M io Pure II hand transmitter |
| Semina Life LED Valance Plus | Semina Life and Valance Plus drive and LED lighting | <ul style="list-style-type: none"> Somfy io remote-controlled motor integrated into cassette and drop profile Additional Somfy receiver for the LED spotlights (with downstream power supply pack) integrated into cassette LED dimmable No retraction protection in windy conditions | Somfy io remote-controlled motor and io Lighting Receiver Variation (dimmable) | <ul style="list-style-type: none"> Situo 5 io Pure II/Situo 5 Variation A/M io Pure II hand transmitter |
| Accessories (optional) | Tempura/Tempura Quadra heating system | <ul style="list-style-type: none"> Dimmable, additional receiver required Installation of the receiver in the design bar provided for this purpose or the Tempura Quadra box | Heating Receiver Variation io 1.5 kW STAS3/STAK3 (dimmable) | <ul style="list-style-type: none"> Situo 5 io Pure II/Situo 5 Variation A/M io Pure II hand transmitter Smoove 1 io Pure Shine wall transmitter |

Note: For Somfy io in combination with LED, two transformer boxes are used.

Somfy RTS radio technology

| Product | Electronics | Somfy RTS control | Remote receiver | Transmitter |
|------------------------------|---|--|--|--|
| Semina Life | Semina Life drive | <ul style="list-style-type: none"> Somfy RTS remote-controlled motor integrated into cassette | Somfy RTS remote-controlled motor | <ul style="list-style-type: none"> Situo 1 RTS Pure II/Situo 1 Soliris RTS Pure II/Situo 5 RTS Pure II/Situo 5 Soliris RTS Pure II hand transmitter Smoove 1 RTS Pure Shine wall transmitter |
| Semina Life LED | Semina Life drive and LED lighting | <ul style="list-style-type: none"> Somfy RTS remote-controlled motor integrated into cassette Additional Somfy receiver for the LED spotlights (with downstream power supply pack) integrated into cassette LED not dimmable | Somfy RTS remote-controlled motor and Lighting Slim Receiver RTS | <ul style="list-style-type: none"> Situo 5 RTS Pure II/Situo 5 Soliris RTS Pure II hand transmitter |
| Semina Life Valance Plus | Semina Life and Valance Plus drive | <ul style="list-style-type: none"> Somfy RTS remote-controlled motor integrated into cassette Additional Somfy receiver for Valance Plus drive integrated into cassette No retraction protection in windy conditions | Somfy RTS remote-controlled motor and Universal Receiver RTS | <ul style="list-style-type: none"> Situo 5 RTS Pure II/Situo 5 Soliris RTS Pure II hand transmitter |
| Semina Life LED Valance Plus | Semina Life and Valance Plus drive and LED lighting | <ul style="list-style-type: none"> Additional Somfy receiver for Valance Plus drive and LED spotlights (with downstream power supply pack) integrated into cassette LED not dimmable No retraction protection in windy conditions | Somfy RTS remote-controlled motor, Universal Receiver RTS and Lighting Slim Receiver RTS | <ul style="list-style-type: none"> Situo 5 RTS Pure II/Situo 5 Soliris RTS Pure II hand transmitter |
| Accessories (optional) | Tempura/Tempura Quadra heating system | <ul style="list-style-type: none"> Not dimmable, additional receiver required Installation of the receiver in the design bar provided for this purpose or the Tempura Quadra box | Heating Slim Receiver RTS Plug | <ul style="list-style-type: none"> Situo 5 RTS Pure II/Situo 5 Soliris RTS Pure II hand transmitter |

Note: For Somfy RTS in combination with LED and Valance Plus, two transformer boxes are used.

Hard wired with Somfy control

| Product | Electronics | Hard wired Somfy control | Control |
|------------------------------|---|--|--|
| Semina Life | Semina Life drive | <ul style="list-style-type: none"> • Somfy control for awning drive | e.g. Soliris Smooove Uno |
| Semina Life LED | Semina Life drive and LED lighting | <ul style="list-style-type: none"> • Somfy control for awning drive • Switch on site for the LED spotlights • LED power supply pack integrated into the cassette • LED not dimmable | e.g. Soliris Smooove Uno and suitable light switch (on site) |
| Semina Life Valance Plus | Semina Life and Valance Plus drive | <ul style="list-style-type: none"> • Somfy control for awning drive • Switch on site for the Valance Plus drive • No retraction protection in windy conditions | e.g. Soliris Smooove Uno and suitable double rocker switch (on site) |
| Semina Life LED Valance Plus | Semina Life and Valance Plus drive and LED lighting | <ul style="list-style-type: none"> • Somfy control for awning drive • Switch on site for the Valance Plus drive • No retraction protection in windy conditions • Switch on site for the LED spotlights • LED power supply pack integrated into the cassette • LED not dimmable | e.g. Soliris Smooove Uno, and suitable double rocker switch and light switch (on site) |
| Accessories (optional) | Tempura/Tempura Quadra heating system | <ul style="list-style-type: none"> • Not dimmable | Suitable switch (on site) |

Hard wired (existing switch/power supply on site)

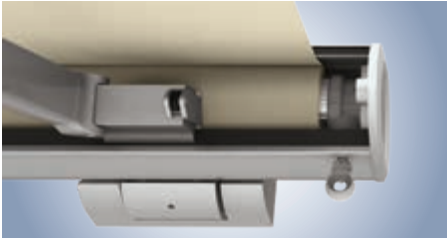
| Product | Electronics | Hard wired control | Control |
|------------------------------|---|--|---|
| Semina Life | Semina Life drive | <ul style="list-style-type: none"> • Awning switch for the awning drive | e.g. double rocker switch switch (on site) |
| Semina Life LED | Semina Life drive and LED lighting | <ul style="list-style-type: none"> • Awning switch for the awning drive • Switch on site for the LED spotlights • LED power supply pack integrated into the cassette • LED not dimmable | e.g. double rocker switch and suitable light switch (on site) |
| Semina Life Valance Plus | Semina Life and Valance Plus drive | <ul style="list-style-type: none"> • Awning switch for the awning drive • Switch on site for the Valance Plus drive • No retraction protection in windy conditions | e.g. 2 double rocker switches (on site) |
| Semina Life LED Valance Plus | Semina Life and Valance Plus drive and LED lighting | <ul style="list-style-type: none"> • Awning switch for the awning drive • Switch on site for the Valance Plus drive • No retraction protection in windy conditions • Switch on site for the LED spotlights • LED power supply pack integrated into the cassette • LED not dimmable | e.g. 2 double rocker switches and suitable light switch (on site) |
| Accessories (optional) | Tempura/Tempura Quadra heating system | <ul style="list-style-type: none"> • Not dimmable | Suitable switch (on site) |

Note:

Please see the "Accessories" technical brochure for further details regarding the drive and control.

Some options are subject to a surcharge. For prices, please refer to the weinor awnings price list.

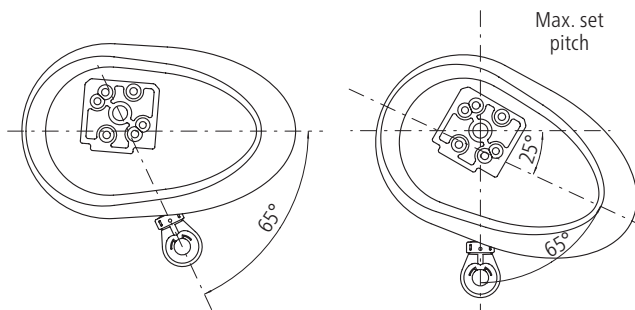
Gear drive (optional)



The Semina Life can of course be extended and retracted using a gear handle too (with a max. projection of 350 cm). This option is recommended whenever it is hard to connect to an electrical power source on the site or if the awning is not frequently used.

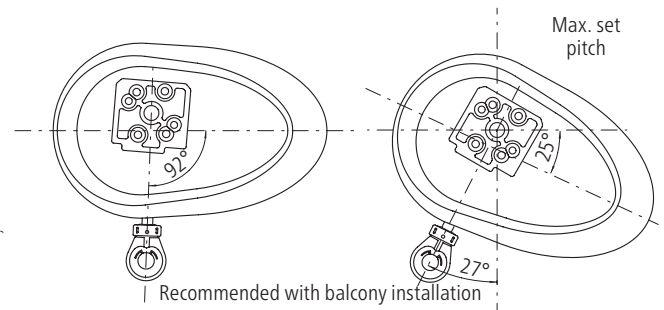
- The Semina Life has a universal bevel gear system.
- End stop adjustable from outside
- Tested according to DIN EN 14203
- Freewheel device when extended

Gear drive installation options based on the awning's type of installation



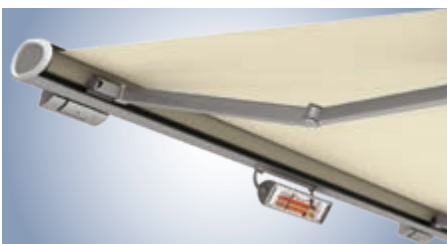
Standard gear outlet with wall mounting

Gear drive installation options based on the awning's type of installation



Gear outlet with ceiling/balcony installation

Tempura heating system (optional)

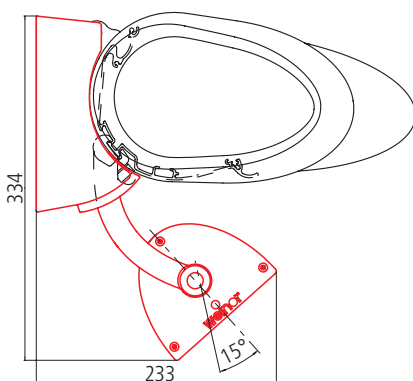


The perfect combination: Semina Life with Tempura heating system, Valance Plus and BiConnect*:

- Automated retraction with BiConnect: first the Valance Plus, then the awning
- As a result, the Valance Plus is protected from the material being damaged due to overheating by the Tempura heating system

Please note:

The Tempura's angle of pitch is restricted to 15° as standard. (This restriction is to avoid the wall being heated up too much by the Tempura.) The grub screw, which restricts the angle of pitch, can be removed if the Semina Life is adjusted up to 10° at the most. Then it is possible to adjust the Tempura's angle of pitch up to 30°.

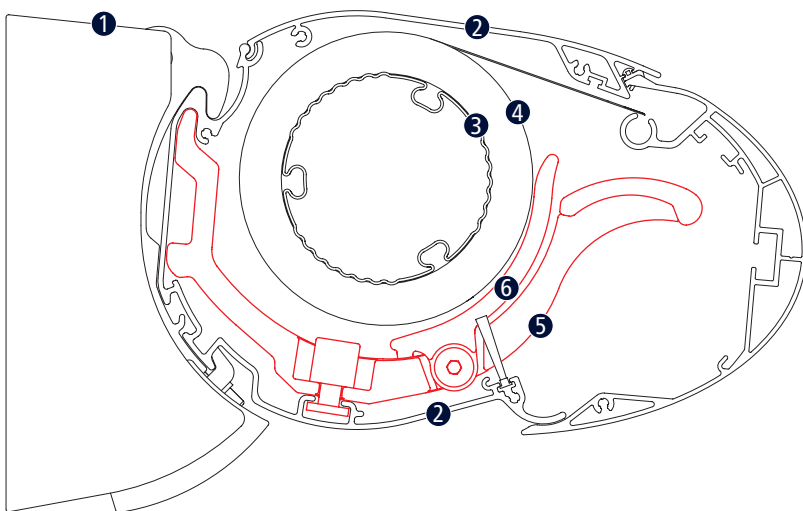


* The heating may not be attached to awnings with Valance Plus. Unless a control is used which ensures that the awning is always extended first and then the Valance Plus and that the Valance Plus is always retracted first before the awning. In this way safety clearances are always adhered to.

Semina Life Roller support



Semina Life: wall mounting with centre bracket and roller support



- 1 Centre bracket (wall bracket)
- 2 Cassette
- 3 Fabric roller bearing
- 4 Fabric rolls
- 5 Roller support
- 6 Sliding support bearing

Notes:

- From a width of 551 cm or more, a roller support and centre bracket is used in the middle
- The sliding support bearing is preassembled and can be adjusted to the size of the fabric roll accordingly
- Support of load against the wall or roof by means of simple screw fastening
- For widths of 551 cm or more you must use the centre bracket provided. This has a slightly different adjustment mechanism to the standard wall bracket. For widths below 551 cm we generally recommend not using a centre bracket unless you feel it is absolutely necessary, as the standard wall brackets are sufficient to securely mount the awning.



Semina Life centre bracket: wall mounting (rear view)

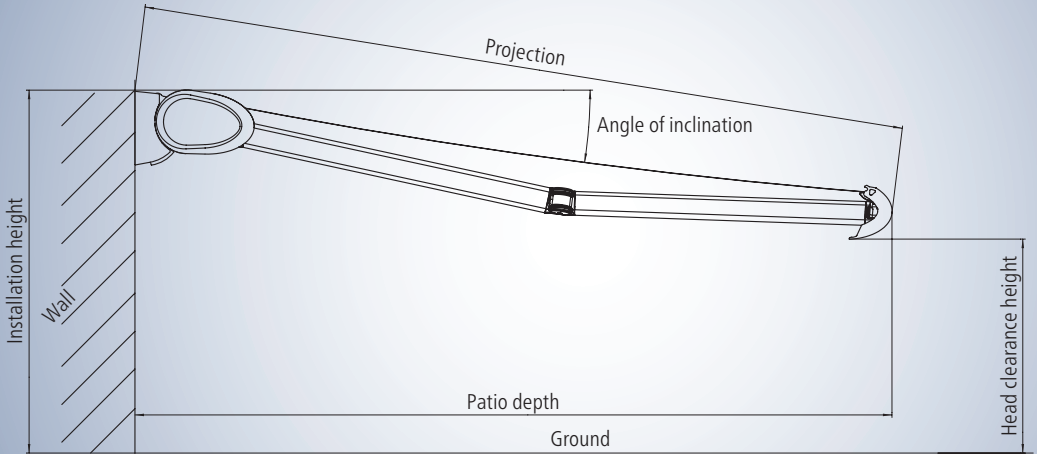


Semina Life centre bracket: roof mounting (rear view)



Semina Life centre bracket: rafter mounting with rafter bracket (rear view)

Semina Life Planning



Site measurements – determining the projection and head clearance height

- Find the projection by looking in the “Projection” table for the terrace depth.
- Using the projection from the table and the required angle of inclination, consult the “head clearance height” table for the head clearance height. This head clearance height refers to an installation height of 300 cm.
- Add/subtract the difference between 300 cm and the actual installation height to/from the head clearance height in the table.

Determining the projection

| Angle of pitch | Terrace depth in cm | | | | | |
|----------------|---------------------|-----|-----|-----|-----|-----|
| | 150 | 200 | 250 | 300 | 350 | 400 |
| 5° | 160 | 210 | 260 | 310 | 360 | 400 |
| 15° | 160 | 210 | 260 | 320 | 370 | 400 |
| 25° | 170 | 230 | 280 | 340 | 390 | 400 |

Projection in cm (rounded figures)

This table can be used to find the awning projection for any given horizontal patio depth.

Determining the head clearance height

| Angle of pitch | Projection in cm | | | | | |
|----------------|------------------|-----|-----|-----|-----|-----|
| | 150 | 200 | 250 | 300 | 350 | 400 |
| 5° | 276 | 272 | 267 | 263 | 258 | 254 |
| 15° | 250 | 237 | 224 | 211 | 198 | 185 |
| 25° | 226 | 204 | 183 | 162 | 141 | 120 |

Head clearance height in cm (rounded figures)

This table is used to find the head clearance heights for various projections when the angle of inclination is 5°, 15° or 25°.

This table is based on the example of an installation height of 300 cm (upper edge of awning).

Wall bracket

Sizes and bracket recommendations

Wall mounting on pressure-resistant surface

Minimum number of required wall brackets so that the function of the awning is ensured, regardless of the mounting surface. Selection of the brackets using the weinor bracket overview and using the maximum extraction forces of the fixings used!



| Width in cm | Diagonal in 10 cm steps | | | | | |
|-------------|-------------------------|---------|---------|---------|---------|---------|
| | up to 150 | 160-200 | 210-250 | 260-300 | 310-350 | 360-400 |
| up to 200 | 2 | | | | | |
| 201-250 | 2 | 2 | | | | |
| 251-300 | 2 | 2 | 2 | | | |
| 301-350 | 2 | 2 | 2 | 2 | | |
| 351-400 | 2 | 2 | 2 | 2 | 2 | |
| 401-450 | 2 | 2 | 2 | 2 | 2 | 2 |
| 451-500 | 2 | 2 | 2 | 2 | 2 | 2 |
| 501-550 | 2 | 2 | 2 | 2 | 2 | 2 |
| 551-600 | 2+1 | 2+1 | 2+1 | 2+1 | 2+1 | 2+1 |
| 601-650 | 2+1 | 2+1 | 2+1 | 2+1 | 2+1 | 2+1 |

- 2 2x wall bracket 250 mm
- 2+1 3x wall bracket 250 mm + 1x centre bracket 250 mm

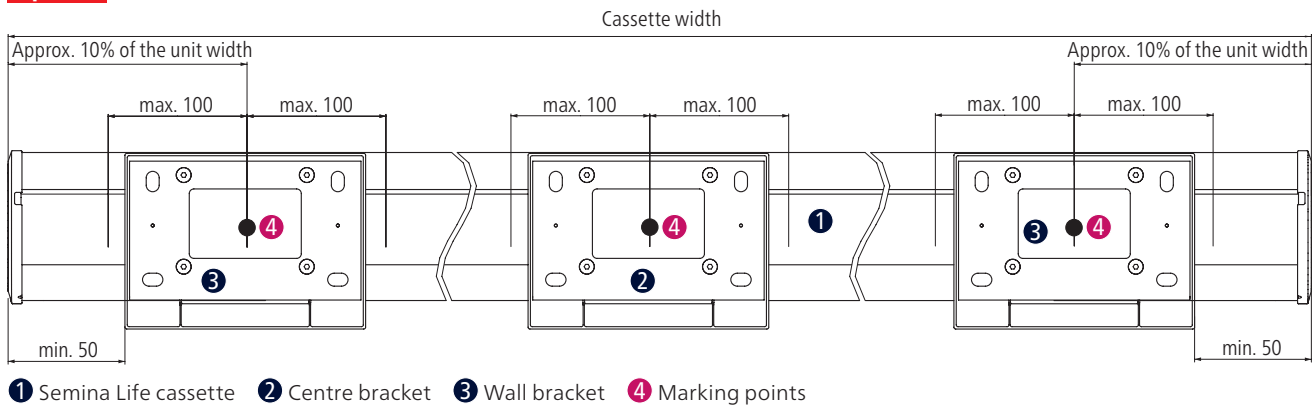
Use of central bracket dependent on:
Width \geq 551 cm

Observe size limits; unit must have X more width than projection:

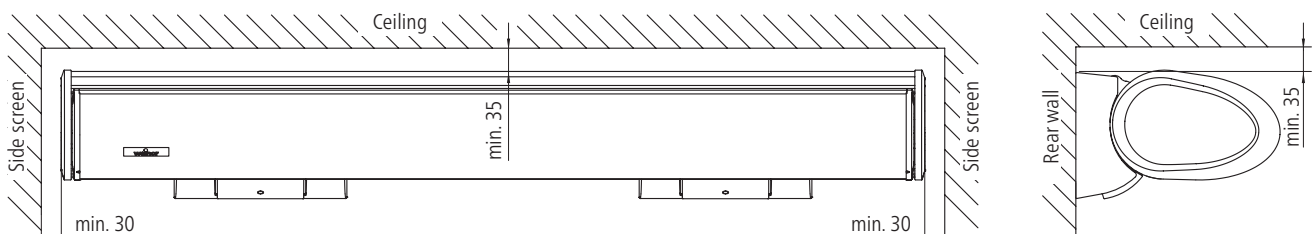
- 250 mm wall bracket: X = 42 cm
- 430 mm wall bracket: X = 60 cm

Position of wall brackets and Semina Life cassette

Update

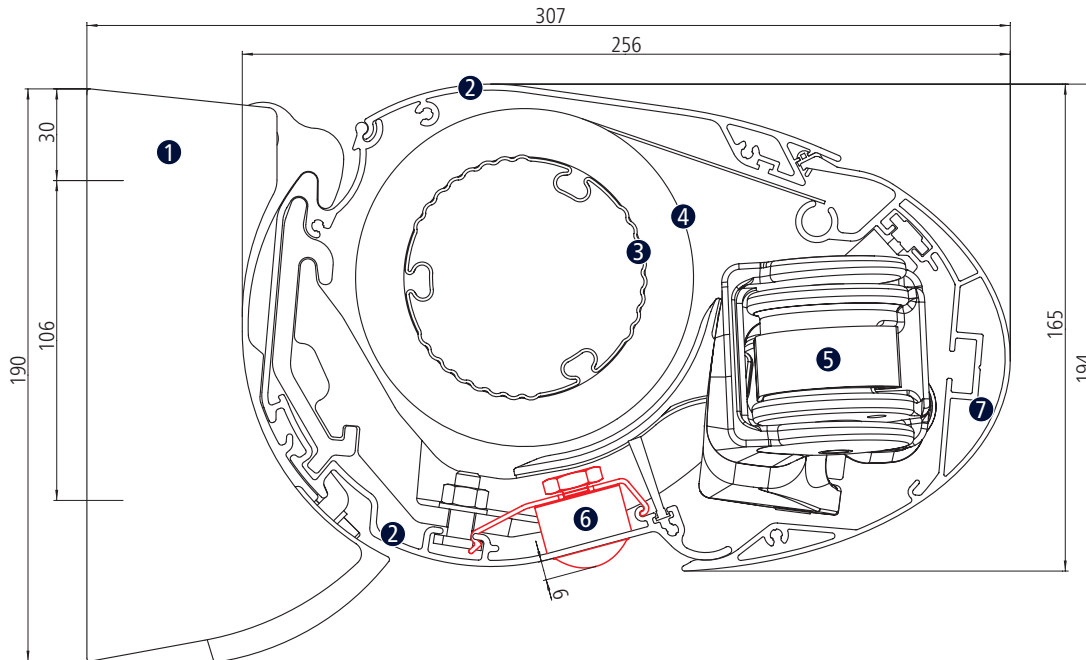


Minimum spacing distances for installation in the niche (wall mounting)



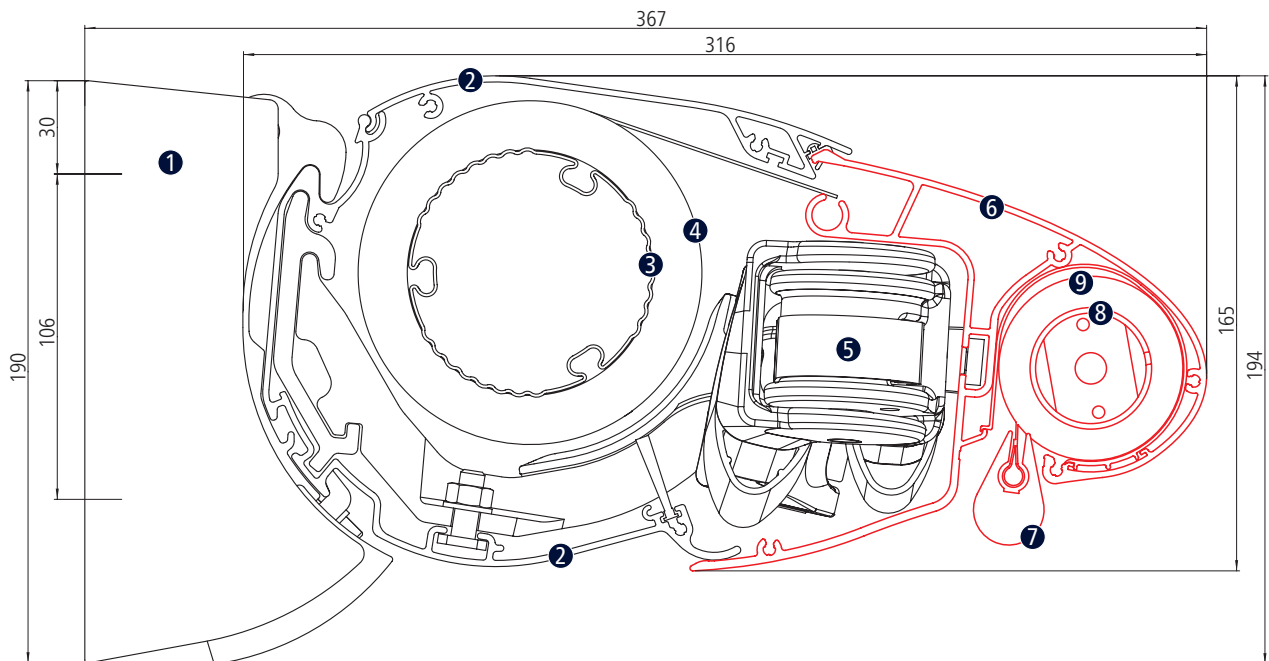
Cross-sections

Semina Life LED



- 1 Wall bracket
- 2 Cassette
- 3 Fabric roller bearing
- 4 Fabric rolls
- 5 Spring-tensioned arm
- 6 LED spotlight
- 7 Semina Life drop profile

Semina Life Valance Plus (cross-section)



- 1 Wall bracket
- 2 Cassette
- 3 Fabric roller bearing
- 4 Fabric rolls
- 5 Spring-tensioned arm
- 6 Valance Plus
- 7 Valance Plus bottom rail
- 8 Valance Plus fabric roller bearing
- 9 Valance Plus fabric rolls

Figures are in mm

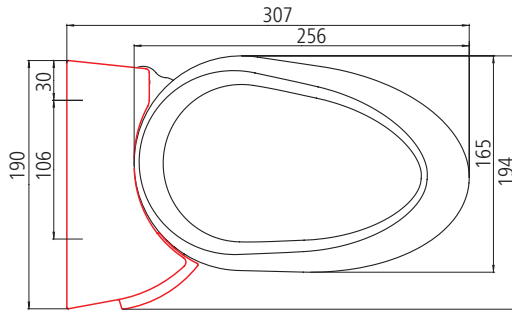
Semina Life Installation

Wall mounting – brackets



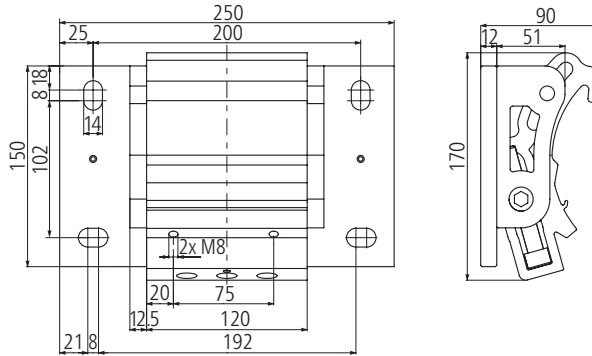
Update

Wall bracket (with cover)

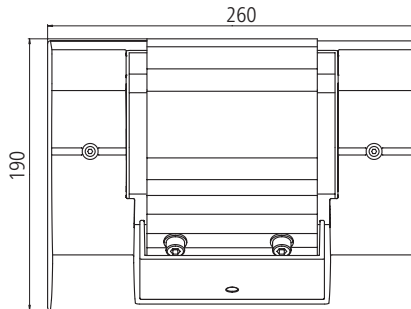


Update

Wall bracket (without cover) 250 mm



Wall bracket (with cover)

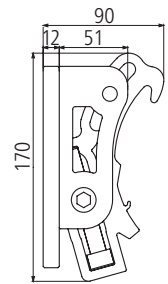
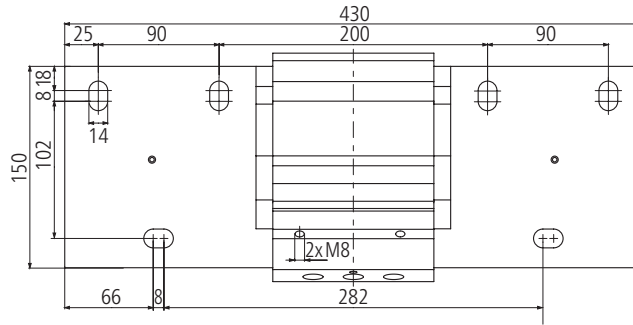


Wall mounting – brackets

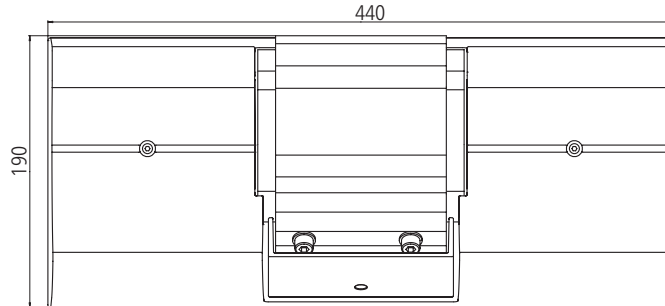
Update



Wall bracket (without cover) 430 mm



Wall bracket (with cover)



Semina Life Installation

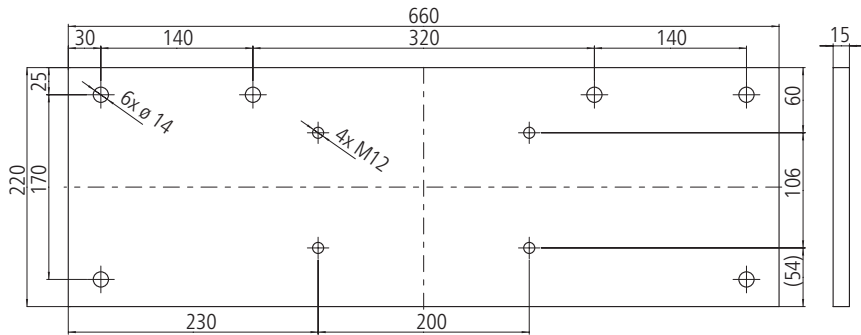
Wall mounting – mounting plates



Mounting plate for wall mounting
660 x 220 x 15 mm



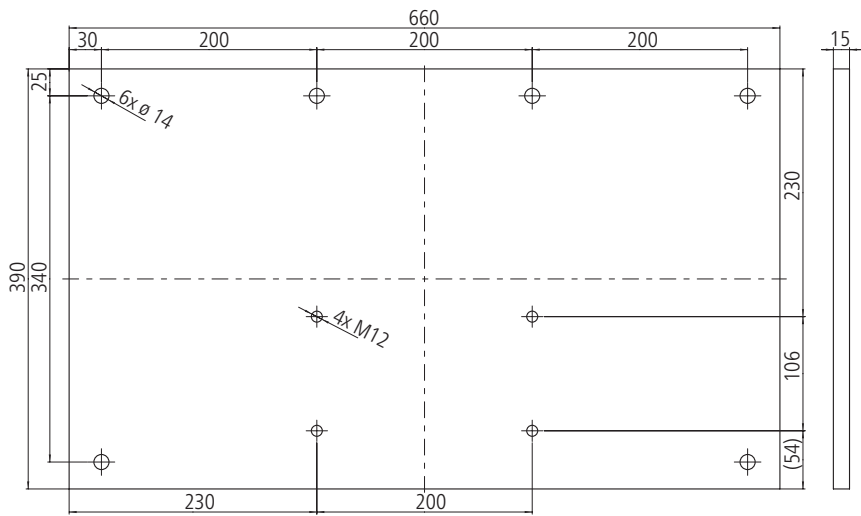
Position of the mounting plates using the Semina Life 500 x 300 cm* as an example.



Mounting plate for wall mounting
660 x 390 x 15 mm



Position of the mounting plates using the Semina Life 500 x 300 cm* as an example.

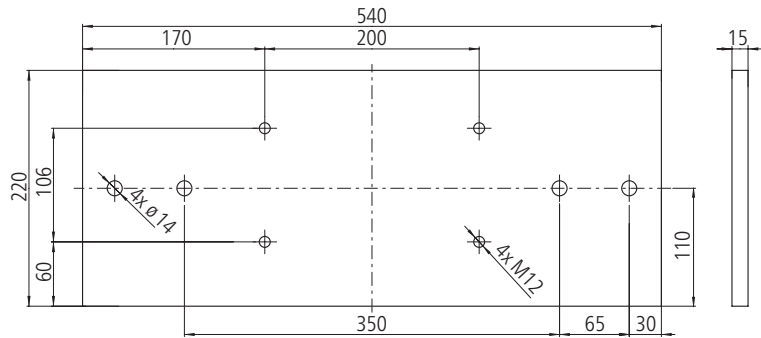


* Depending on the width of the awning, the positioning of the mounting plates may vary.

Wall mounting – mounting plates



Roof front plate for wall mounting
540 x 220 x 15 mm

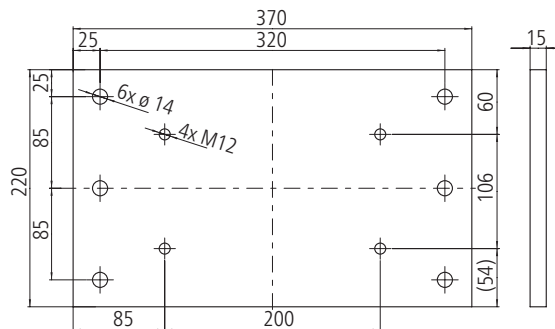


Note for front ceiling mounting:

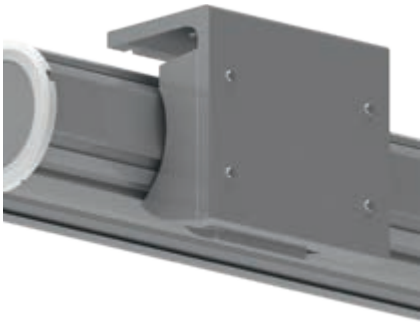
The indicated extraction forces apply to a storey ceiling with a thickness of at least 160 mm. Here, the fixings are installed exactly in the centre of the storey ceiling, so that there is a minimum upward and downward edge distance of 80 mm. For this mounting type, a lining, e.g. with 150 x 50 mm rectangular pipes, is required. Here, the lower edge of the rectangular pipe must be flush with the lower edge of the storey ceiling.



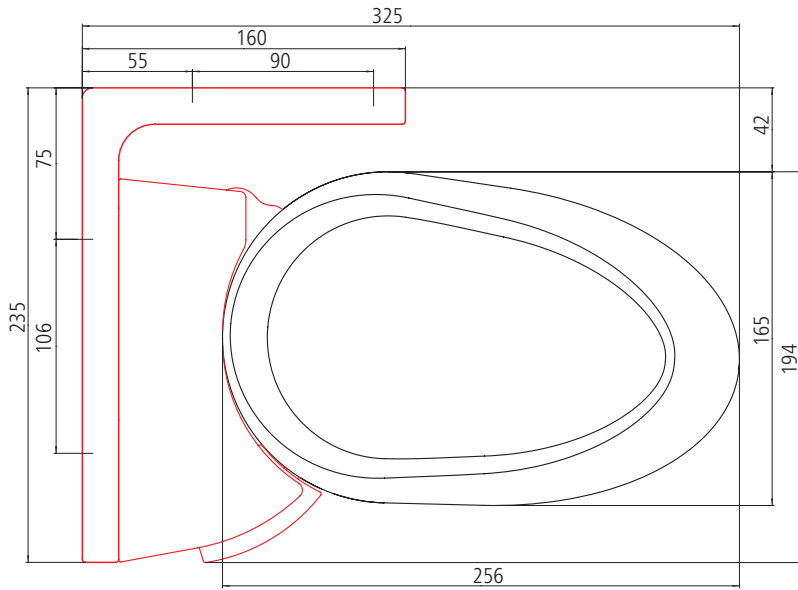
Mounting plate for centre bracket
370 x 220 x 15 mm



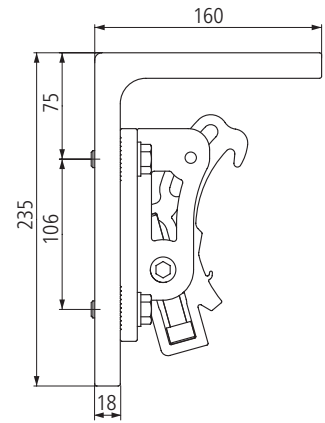
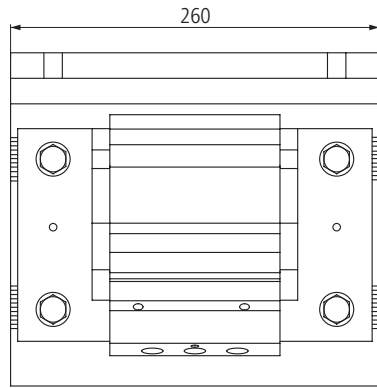
Ceiling mounting



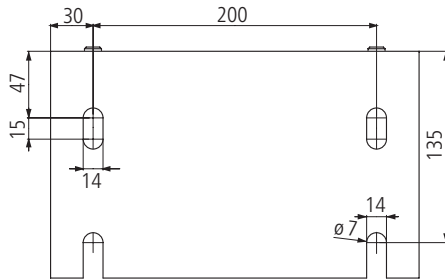
Ceiling bracket



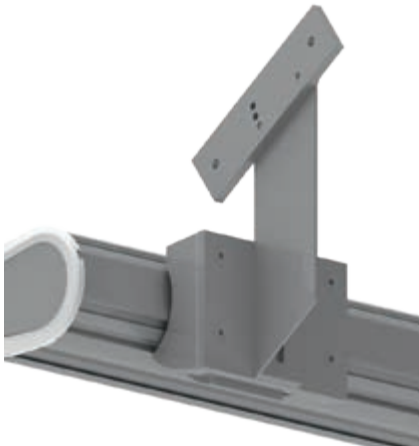
Ceiling bracket (without cover)



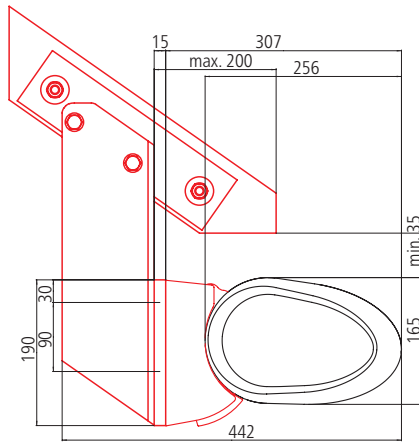
Ceiling bracket (with cover)



Rafter mounting



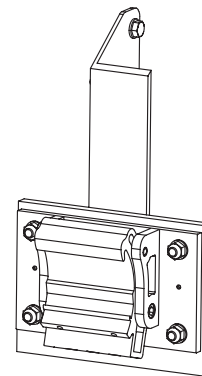
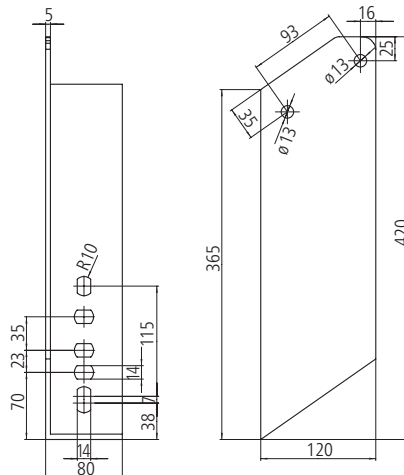
Rafter bracket



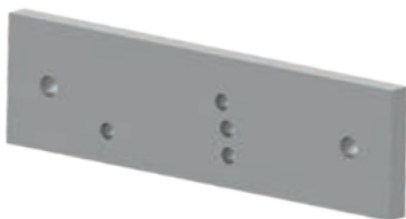
Rafter bracket with mounting plate and wall bracket with cover



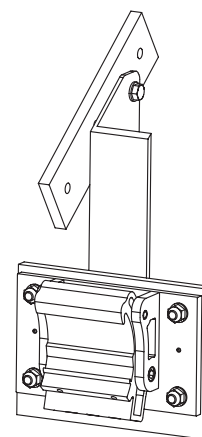
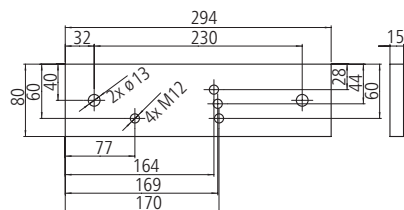
Rafter bracket (right)



Rafter bracket without mounting plate for rafters (right)



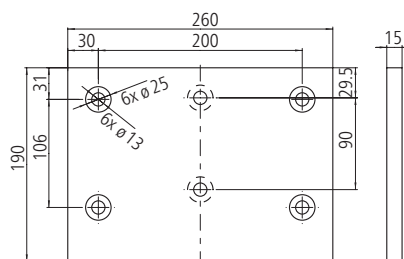
Mounting plate for rafter bracket
294 x 80 x 15 mm



Rafter bracket with mounting plate for rafters (right)
weinor recommends using mounting plates for rafter brackets



Adaptor plate for rafter bracket
260 x 190 x 15 mm



Extraction forces

The extraction force is the force with which the awning weight and the wind load pull on each upper and/or front fixing. The tables indicate this force in N per upper fixing. It varies depending on the awning size and the wall bracket / mounting plate used.

Selecting the wall bracket and anchoring system:

1. Consult relevant table for extraction force per fixing for selected awning size.
2. Select a wall bracket / mounting plate for which there is fixing material which can resist the indicated extraction force. Remember to take into account the spacing, the area which will be damaged if the fixing breaks out, the type of fixing material used and the mounting base.

Use the separate bracket overview for an exact planning of the awning attachment.


Extraction force in N per upper fixing for wall mounting

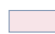
Brackets **without** mounting plates

Wall mounting with up to 200 mm facing (non-pressure-resistant surface)

Please observe the width to projection dimension limits

For the extraction forces of the valance plus version, please refer to the console overview!

 1 x wall bracket 250 mm
Number of fixings: 8

 1 x wall bracket 430 mm
Number of fixings: 12

Please note:
from a width of 551 cm additional
1 x centre bracket 250 mm
is required.

| Width in cm | Projection in cm | | | | | |
|-------------|------------------|------|------|------|------|------|
| | 150 | 200 | 250 | 300 | 350 | 400 |
| 200 | 579 | | | | | |
| | 290 | | | | | |
| 250 | 683 | 1017 | | | | |
| | 341 | 508 | | | | |
| 300 | 786 | 1171 | 1644 | | | |
| | 393 | 586 | 822 | | | |
| 350 | 890 | 1326 | 1859 | 2516 | | |
| | 445 | 663 | 930 | 1258 | | |
| 400 | 993 | 1480 | 2074 | 2800 | 3562 | |
| | 497 | 740 | 1037 | 1400 | 1781 | |
| 450 | 1097 | 1635 | 2289 | 3085 | 3925 | 5582 |
| | 548 | 817 | 1144 | 1542 | 1963 | 2791 |
| 500 | 1200 | 1790 | 2504 | 3369 | 4832 | 6105 |
| | 600 | 895 | 1252 | 1684 | 2416 | 3052 |
| 550 | 1304 | 1944 | 2719 | 3653 | 5250 | 6628 |
| | 652 | 972 | 1359 | 1827 | 2625 | 3314 |
| 600 | 1407 | 2099 | 2933 | 4427 | 5669 | 7150 |
| | 704 | 1049 | 1467 | 2213 | 2835 | 3575 |
| 650 | 1510 | 2253 | 3148 | 4753 | 6088 | 7673 |
| | 755 | 1127 | 1574 | 2376 | 3044 | 3836 |



Extraction forces

Extraction force in N per upper fixing for wall mounting

Brackets **with** mounting plates

Wall mounting with up to 200 mm facing (non-pressure-resistant surface)

Please observe the width to projection dimension limits

For the extraction forces of the valance plus version, please refer to the console overview!

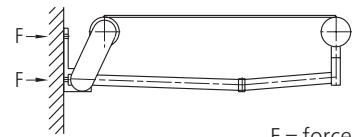
1 x mounting plate
660 x 220 x 15 mm incl.
1 x wall bracket 250 mm
Number of fixings: 12

1 x mounting plate
660 x 390 x 15 mm incl.
1 x wall bracket 250 mm
Number of fixings: 12

1 x roof front plate
540 x 220 x 15 mm incl.
1 x wall bracket 250 mm
Number of fixings: 8

Please note:
from a width of 551 cm additional
1 x wall bracket 250 mm incl.
1 x mounting plate 370 x 220 x 15 mm
as centre bracket is required.
This means an additional 4 fixings will be
required,
for roof front plate mounting at 2.

| Width in cm | Projection in cm | | | | | |
|-------------|------------------|------|------|------|------|------|
| | 150 | 200 | 250 | 300 | 350 | 400 |
| 200 | 183 | | | | | |
| | 91 | | | | | |
| | 389 | | | | | |
| 250 | 216 | 320 | | | | |
| | 108 | 160 | | | | |
| | 458 | 680 | | | | |
| 300 | 248 | 369 | 517 | | | |
| | 124 | 184 | 258 | | | |
| | 527 | 784 | 1099 | | | |
| 350 | 281 | 417 | 585 | 790 | | |
| | 140 | 209 | 292 | 395 | | |
| | 597 | 887 | 1242 | 1679 | | |
| 400 | 313 | 466 | 652 | 880 | 1118 | |
| | 157 | 233 | 326 | 440 | 559 | |
| | 666 | 990 | 1386 | 1869 | 2375 | |
| 450 | 346 | 515 | 720 | 969 | 1232 | 1751 |
| | 173 | 257 | 360 | 484 | 616 | 875 |
| | 735 | 1094 | 1529 | 2059 | 2617 | 3720 |
| 500 | 379 | 563 | 787 | 1058 | 1516 | 1915 |
| | 189 | 282 | 394 | 529 | 758 | 957 |
| | 805 | 1197 | 1673 | 2248 | 3222 | 4068 |
| 550 | 411 | 612 | 855 | 1147 | 1648 | 2078 |
| | 206 | 306 | 427 | 574 | 824 | 1039 |
| | 874 | 1301 | 1816 | 2438 | 3501 | 4417 |
| 600 | 444 | 661 | 922 | 1390 | 1779 | 2242 |
| | 222 | 330 | 461 | 695 | 890 | 1121 |
| | 943 | 1404 | 1960 | 2954 | 3781 | 4765 |
| 650 | 477 | 709 | 990 | 1493 | 1910 | 2406 |
| | 238 | 355 | 495 | 746 | 955 | 1203 |
| | 1013 | 1507 | 2103 | 3172 | 4060 | 5113 |



F = force

Extraction forces / Shear forces

Extraction force in N per front fixing for ceiling mounting

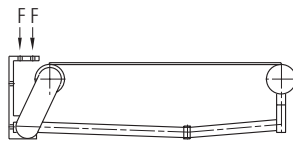
Please observe the width to projection dimension limits

For the extraction forces of the valance plus version, please refer to the console overview!

- 1 x ceiling angle incl.
1 x wall bracket 250 mm
Number of fixings: 8

Please note:
from a width of 551 cm additional
1 x ceiling angle incl.
1 x wall bracket 250 mm
as centre bracket is required.
This means an additional 4 fixings will be required.

| Width in cm | Projection in cm | | | | | |
|-------------|------------------|------|------|------|------|------|
| | 150 | 200 | 250 | 300 | 350 | 400 |
| 200 | 547 | | | | | |
| 250 | 638 | 920 | | | | |
| 300 | 729 | 1054 | 1453 | | | |
| 350 | 821 | 1188 | 1638 | 2194 | | |
| 400 | 912 | 1322 | 1823 | 2437 | 3080 | |
| 450 | 1003 | 1456 | 2007 | 2680 | 3389 | 4783 |
| 500 | 1094 | 1590 | 2192 | 2923 | 4151 | 5227 |
| 550 | 1185 | 1724 | 2377 | 3166 | 4507 | 5670 |
| 600 | 1246 | 1827 | 2529 | 3781 | 4827 | 6076 |
| 650 | 1335 | 1959 | 2711 | 4057 | 5181 | 6518 |



F = force

Shear forces in N per fixing for rafter mounting

Please observe the width to projection dimension limits

For the extraction forces of the valance plus version, please refer to the console overview!

- 1 x rafter bracket with
1 x adapter plate for rafter bracket incl.
1 x wall bracket 250 mm,
one left, one right for each

- 1 x rafter bracket with
1 x mounting plate for rafter with
1 x adapter plate for rafter bracket incl.
1 x wall bracket 150 mm,
one left, one right for each

Please note:
from a width of 551 cm additional
1 x rafter bracket with
1 x adapter plate for rafter bracket incl.
1 x centre bracket 250 mm,
one left, one right for each,
as centre bracket is required.

| Width in cm | Projection in cm | | | | | |
|-------------|------------------|------|------|-------|-------|-------|
| | 150 | 200 | 250 | 300 | 350 | 400 |
| 200 | 1543 | | | | | |
| | 708 | | | | | |
| 250 | 1805 | 2592 | | | | |
| | 821 | 1142 | | | | |
| 300 | 2068 | 2975 | 4087 | | | |
| | 934 | 1304 | 1757 | | | |
| 350 | 2330 | 3358 | 4611 | 6152 | | |
| | 1047 | 1466 | 1976 | 2604 | | |
| 400 | 2593 | 3740 | 5134 | 6838 | 8612 | |
| | 1160 | 1627 | 2195 | 2889 | 3609 | |
| 450 | 2855 | 4123 | 5658 | 7523 | 9479 | 13360 |
| | 1274 | 1789 | 2414 | 3173 | 3968 | 5542 |
| 500 | 3117 | 4505 | 6181 | 8208 | 11636 | 14602 |
| | 1387 | 1951 | 2633 | 3458 | 4847 | 6052 |
| 550 | 3380 | 4888 | 6705 | 8893 | 12636 | 15843 |
| | 1500 | 2113 | 2852 | 3742 | 5259 | 6562 |
| 600 | 3581 | 5207 | 7163 | 10675 | 13566 | 17011 |
| | 1552 | 2212 | 3005 | 4429 | 5601 | 6997 |
| 650 | 3840 | 5586 | 7682 | 11456 | 14563 | 18248 |
| | 1661 | 2370 | 3220 | 4750 | 6008 | 7503 |



In the case of rafter mounting, the fixings are included in the order.

weinor recommends the use of rafter brackets with mounting plate!