



Cassette awning

markilux 1710 stretch

The classic torque bar awning with a designer look.
Large projections at limited widths – the perfect solution
for narrow reveals, balconies and patios.

SBI Ltd (Sun Blinds Installations) www.sbiproducts.co.uk



German
Design Award
NOMINEE 2014



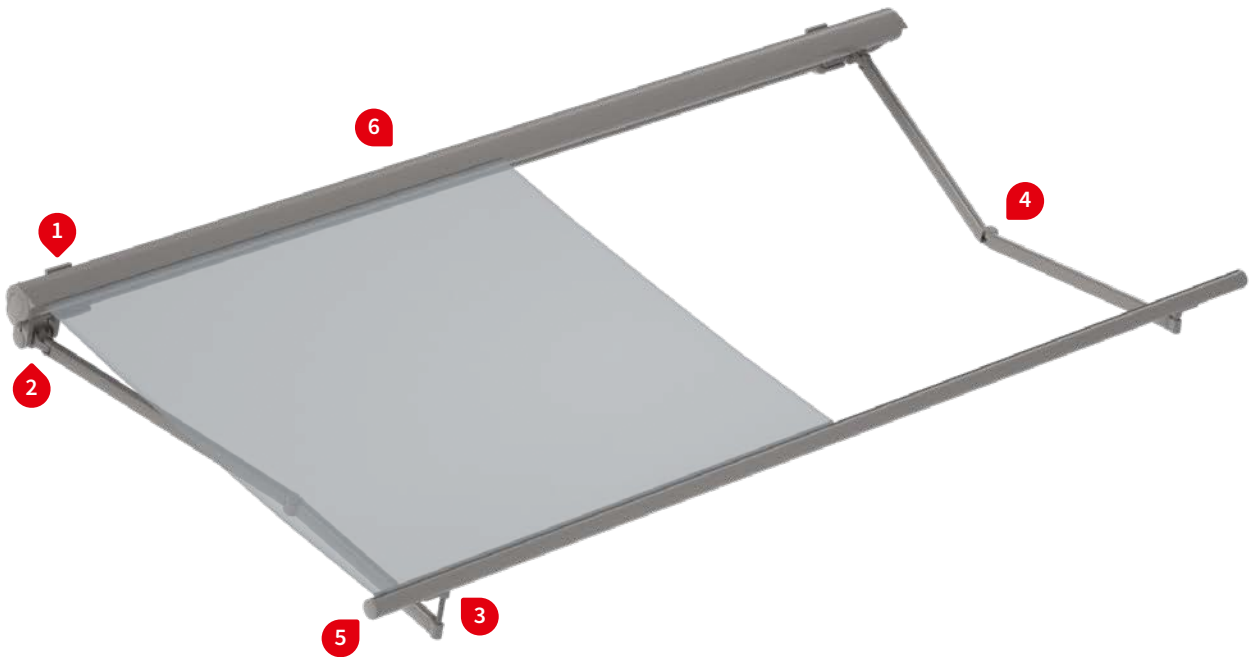
reddot design award
winner 2012

markilux.com

markilux
safe timeless beautiful

Product Characteristics

Wind resistance class 2
Beaufort 5 → 7.5–10.4 m/s → 28–37 km/h → 17–23 mph



01
02
03
04
05
06
07
08
09
10

11

12
13
14
15
16
17

1 face fixture



1 face fixture, maximum pitch of 25°



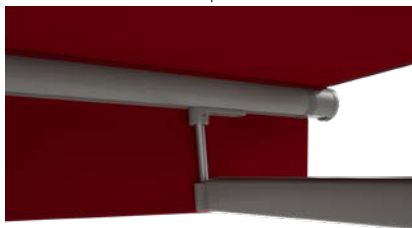
1 top fixture



2 folding arm suspended from the torque bar



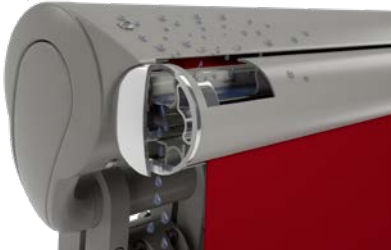
3 connection of the lower folding arm to the front profile



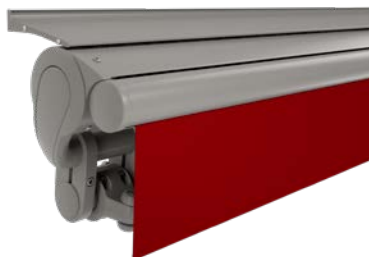
4 bionic tendon made of high-tech fibres for optimum power transference



5 unique water drainage system and hidden cover pocket in the front profile



6 wall sealing profile, up to a pitch of 25° 1)



1) Optional accessories

Product Characteristics

Description

- award-winning, teardrop-shaped cover cassette employing special folding arm technology, shading areas with greater depth than width

Special features

- awning with an extremely torsion-resistant, round torque bar
- round, fluid transition from the round torque bar to the round cassette
- cover cassette with tiered arms in front, which make greater projections than widths possible
- even when the awning is fully extended, the roller tube is completely protected

Dimensions

- cassette in the standard version: depth 252 mm, height 289 mm
- single unit: minimum width 123 cm at the smallest projection of 150 cm, maximum width 248 cm at the largest projection of 350 cm

Roller tube and lateral bearings

- round roller tube Ø 85 mm with keyway, galvanised steel – excellent stability, ensures near perfect cover performance even at the largest widths
- Roller support bracket made of die-cast aluminium, powder-coated, with integrated, concealed cable duct when motor driven

Awning profiles

- extruded aluminium, in façade quality, powder coated
- cassette in two parts
- circular front profile with integrated gutter
- round torque bar Ø 50 mm, galvanised both inside and out, powder coated

Folding arms

- profiles in extruded aluminium, in façade quality, powder coated
- moving parts made of drop-forged aluminium – the arms are therefore extremely fracture resistant
- pivot bolts in stainless steel run in Teflon-coated bronze bushes – practically maintenance free, virtually silent and extremely hard wearing
- power transference via the innovative bionic tendon at the elbow joint, made of high tensile, hightech fibres – low in friction, noiseless, insensitive to corrosion and UV resistant, tested by the Fraunhofer institute

End caps

- the roller support bracket insert sections are made of high-quality plastic, powder coated or in a polished chrome finish
- the front profile end caps are made of high-quality plastic, powder coated or with a polished chrome finish, with water drainage holes

Fixture brackets

- face fixture, top fixture, eaves fixture
- extruded aluminium, powder coated
- pitch range 5°–25°, infinitely adjustable
- spacer plates, stand-off brackets and other accessories are available

01 **Frame and end cap colours**

markilux frame colours without surcharge

02

traffic white, RAL 9016

metallic aluminium, RAL 9006

grey brown, similar to RAL 8019

03



04

05

06

07

off-white textured finish, 5233 ¹⁾

stone grey metallic, 5215 ¹⁾

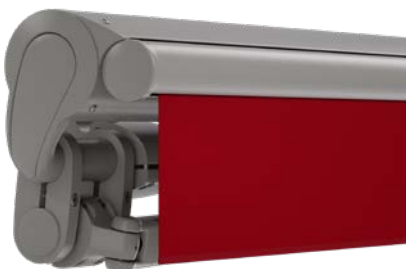
anthracite metallic, 5204 ¹⁾

08

09

10

11



12

havana brown textured finish, 5229 ¹⁾

13

14

15

16

17



off-white textured finish, 5233 ¹⁾
insert and front profile end cap in polished chrome

stone grey metallic, 5215 ¹⁾
insert and front profile end cap in polished chrome

anthracite metallic, 5204 ¹⁾
insert and front profile end cap in polished chrome



Combination options – possible in any frame colour.

Non-standard powder-coated finish









Bespoke frame colours incur a surcharge – matt, metallic, finely textured and pearl finishes as well as other colour ranges (DB, Tiger etc.) on request. All frame colours are available at a surcharge with enhanced corrosion protection.

Colours may differ slightly from those depicted in both hue and finish.

¹⁾ textured finish


Dimensions and configuration options


Single unit


		Overall awning width						Minimum width				
		150	175	200	225	250	300	350	Motor		Crank handle	
Order dimensions		123	151	176	201	226	251	301				
		150	175	200	225	250	300	350				
H	150	2)		1)	—	—	—	—				
	200	2)	2)			1)	—	—	130	123	132	125
	250	—	2)	2)			1)	—	155	148	157	150
	300	—	—	2)	2)			1)	180	173	182	175
	350	—	—	—	2)	2)			205	198	207	200
								230	223	232	225	

dimensions in cm

- 1) = inside dimensions on request
 2) = please note the minimum widths!
 H = projection

 = 2 folding arms
 2 brackets

 = 2 standard arms

 = 2 bespoke arms
 (surcharge)

Operation

	standard	optional
crank handle	✓	—
spring-assisted crank handle	—	✓
hard-wired motor	—	✓
silentec motor (optionally with an external io / RTS receiver ¹⁾)	—	—
radio-controlled motor io, 868 MHz	—	✓
radio-controlled motor RTS, 433 MHz	—	✓
868 MHz radio-controlled motor io with manual override ¹⁾	—	—

1) For awnings with a maximum of 2 arms

Coupled awnings

not available

Awning cover

	fabric pattern no.	standard	optional
sunvas	300..–315..	✓	—
sunsilk	324.. / 325.. / 328.. / 369..	✓	—
sunbow ¹⁾	411..–427..	✓	—
smart art	340..	—	✓
perla FR	371.. / 372..	—	✓
perfortex	331.. / 332..	—	—
transolair	338..	—	—
transolair (120 cm)	339..	—	—
Soltis Perform 92	92–20..	—	—
glass fibre screen	272..	—	—
valance, height 25 cm		✓	—

1) Up to max. 300 cm projection available

Shadeplus

not available

01
02
03
04
05
06
07
08
09
10
11
12
13
14
15
16
17

Optional accessories

wall sealing profile (effective up to a maximum awning pitch of 25°); coverboard when fitted to the markilux panel, in one piece
infrared heater 2500 W
infrared heater 2500 W with integrated radio-controlled receiver 868 MHz Funk io
LED-spotline – light bar 110 × 70 mm with 5 W LED-spotlights, 180 cm / 3 spots or 300 cm / 5 spots
LED spotline io – light bar 110 × 70 mm with 5 W LED spotlights with integrated dimmable radio-controlled receiver, width 180 cm / 3 spots or 300 cm / 5 spots
automatic controls (light, wind, rain)

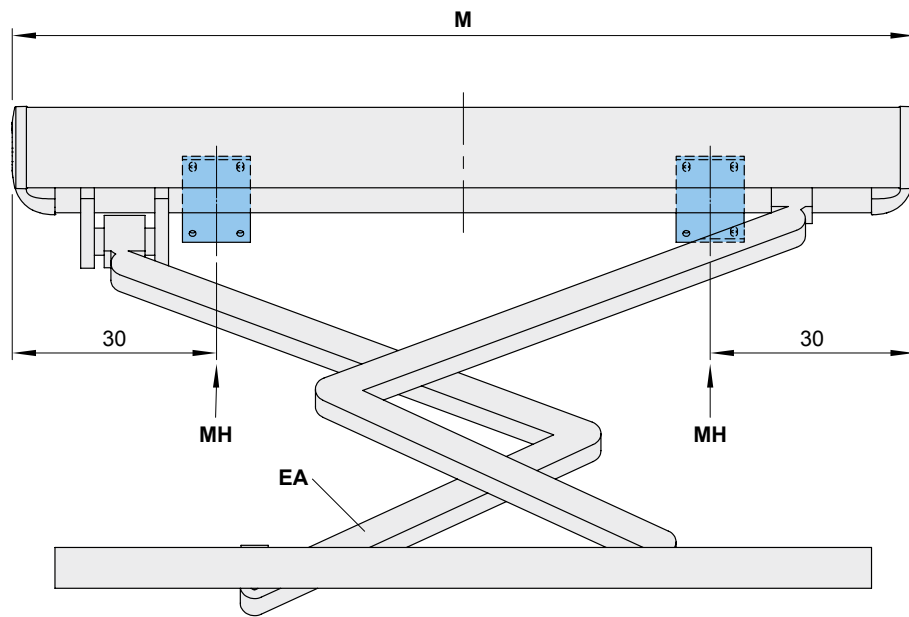
N.B. Important background information can be found in the chapter “Optional Accessories”

Fixture options

face fixture bracket 100 mm	70867.
fixture plate A 430 × 160 × 12 mm	75326.
fixture plate B 300 × 400 × 12 mm	75325.
markilux panel 250 × 230 × 49 mm	76308.
markilux panel continuous	76380.
stand-off bracket 80–300 mm	77968.
top fixture bracket 90 mm	70868.
eaves fixture bracket 90 mm plate 150 mm	71612.
eaves fixture bracket 90 mm plate 270 mm	71659.
angle and plate for eaves fixture machine finish aluminium, plate 500 mm	716620
spreader plate 260 × 60 × 12 mm for eaves fixture bracket	75383.

Bracket fixture range

Awning with 2 folding arms



dimensions in mm

		Awning width						
		150	175	200	225	250	300	350
Order dimensions		123	151	176	201	226	251	301
		150	175	200	225	250	300	350
	BHT	No. of brackets No. of fixing points						
W	10	2 6						
BP		A 2 16 B 2 8						
PA		2 8						
DE	9	2 8						
DA	9	2 8						

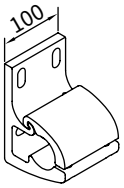
dimensions in cm

The **pull-out forces** necessary for determining the correct fixing materials necessary to meet wind resistance class 2 (Beaufort 5) can be found in the password-protected dealer area of the pro.markilux.com website under "Pull-out Forces".

- BHT** = bracket width
- BP** = spreader plate **A** or **B**, to be positioned behind the folding arm
- DA** = eaves fixture brackets
- DE** = top fixture brackets
- EA** = deep folding-arm (opposite of the drive side)
- M** = **order width** = awning width
- MH** = bracket centre
- PA** = markilux panel, fixture profile, width 250 mm
- W** = face fixture brackets

Face fixture

Fixtures, fittings and accessories



face fixture bracket
100 mm

70867.



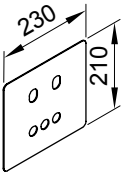
spacer plate for face
fixture
100 × 150 × 20 mm
N.B!
Stack to a max. height
of 200 mm

758831



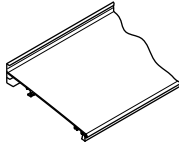
spacer plate
100 × 150 × 12 mm

758841



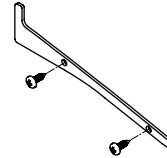
cover plate for spacer
plate and stand-off
brackets in the case of
external insulation
230 × 210 × 2 mm

71843.



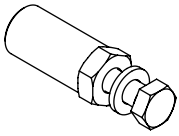
wall sealing profile
incl. brush seal
by the metre

76385. and 704241.



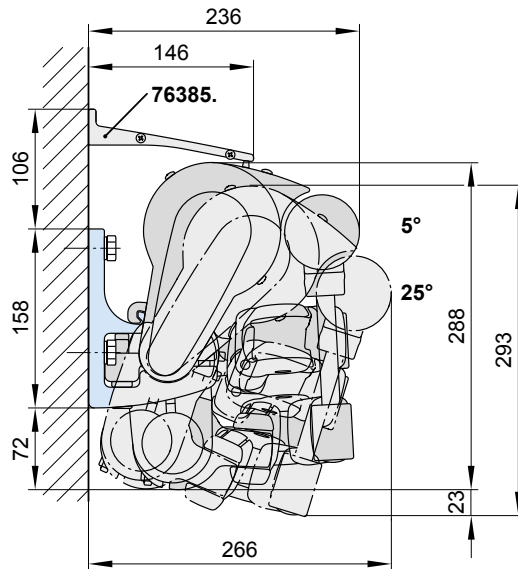
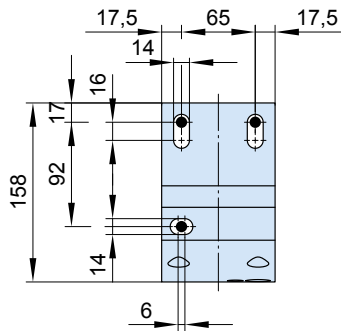
side plate
for wall sealing profile
including 2 pan-head
self-tapping screws

76386. and 2 × 735611



reduction bolt
pack 10 pcs

M 16 → M 12 | M 16 → M 10 | M 12 → M 10 | M 10 → M 10

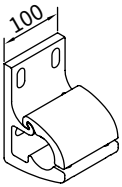


76385. = wall sealing profile (standard width = awning width (M); up to a maximum awning pitch of 25°)

dimensions in mm

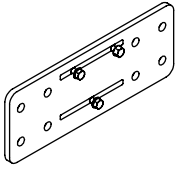
Face fixture with spreader plate A

Fixtures, fittings and accessories



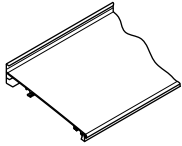
face fixture bracket
100 mm

70867.



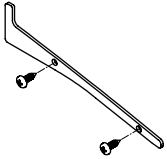
spreader plate A
face fixture
430 × 160 × 12 mm

75326.



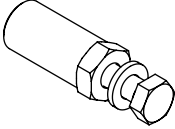
wall sealing profile
incl. brush seal
by the metre

76385. and 704241.



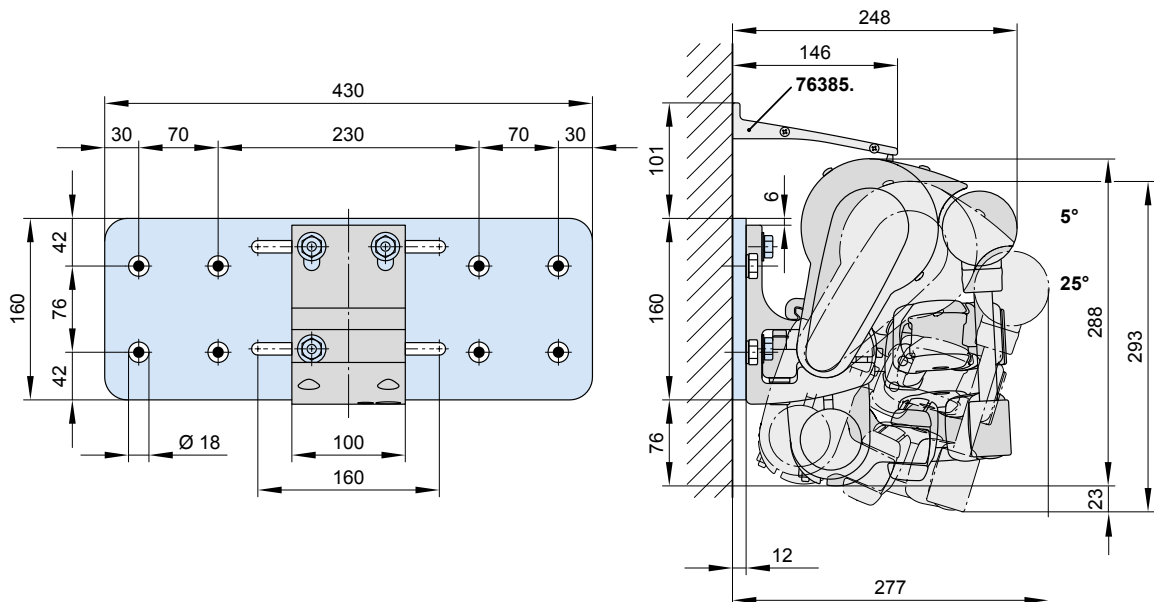
side plate
for wall sealing profile
including 2 pan-head
self-tapping screws

76386. and 2 × 735611



reduction bolt
pack 10 pcs

M 16 → M 12 | M 16 → M 10 | M 12 → M 10 | M 10 → M 10



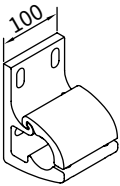
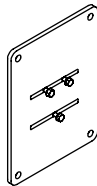
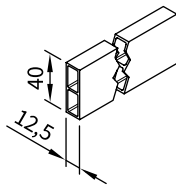
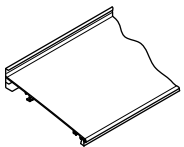
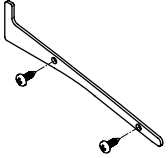
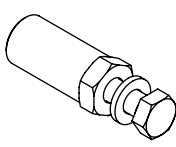
76385. = wall sealing profile (standard width = awning width (M); up to a maximum awning pitch of 25°)

dimensions in mm

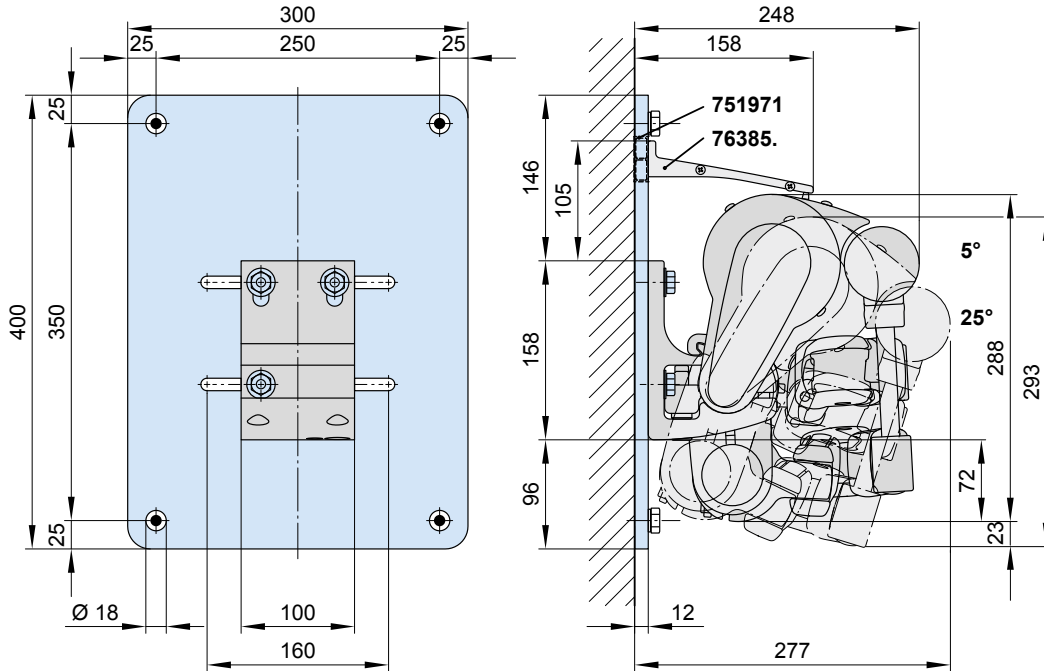
01
02
03
04
05
06
07
08
09
10
11
12
13
14
15
16
17

Face fixture with spreader plate B

Fixtures, fittings and accessories

 <p>face fixture bracket 100 mm</p> <p>70867.</p>	 <p>spreader plate B 300 × 400 × 12 mm</p> <p>75325.</p>	 <p>stand-off strip for wall sealing profile by the metre</p> <p>751971</p>
 <p>wall sealing profile incl. brush seal by the metre</p> <p>76385. and 704241.</p>	 <p>side plate for wall sealing profile including 2 pan-head self-tapping screws</p> <p>76386. and 2 × 735611</p>	 <p>reduction bolt pack 10 pcs</p> <p>M 16 → M 12 M 16 → M 10 M 12 → M 10 M 10 → M 10</p>

11



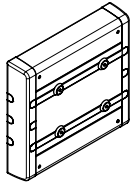
751971 = stand-off strip for wall sealing profile

76385. = wall sealing profile (standard width = awning width (M); up to a maximum awning pitch of 25°)

dimensions in mm

Face fixture using the markilux panel 250 mm wide

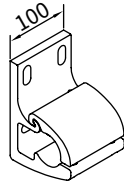
Fixtures, fittings and accessories



markilux panel
250 × 230 × 49 mm

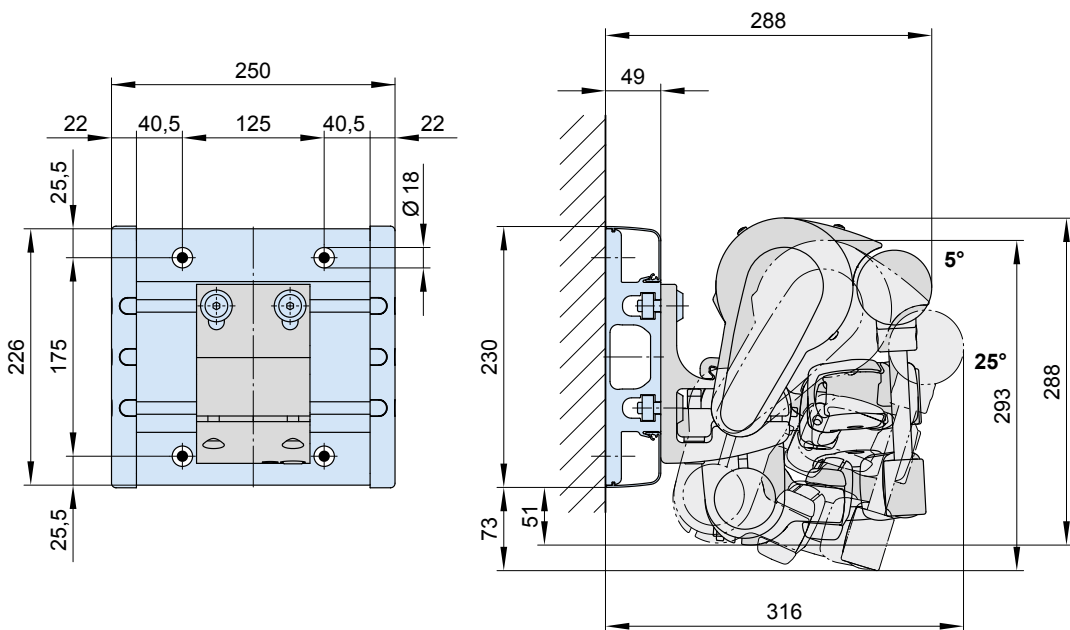
with decorative profiles
and end caps

76308.



face fixture bracket
100 mm

70867.

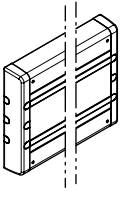


dimensions in mm

01
02
03
04
05
06
07
08
09
10
11
12
13
14
15
16
17

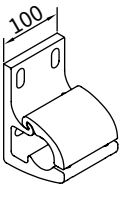
Face fixture with markilux panel continuous

Fixtures, fittings and accessories



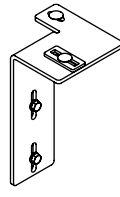
markilux panel continuous
with decorative profiles and end caps

76380.



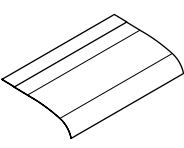
face fixture bracket
100 mm

70867.



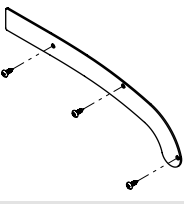
bracket coverboard

76390.



coverboard
incl. additional profile and rubber sealing strip

72015., 72019., 75970.



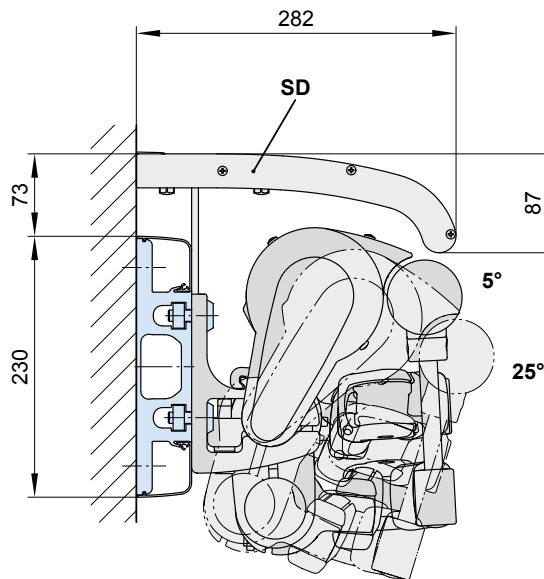
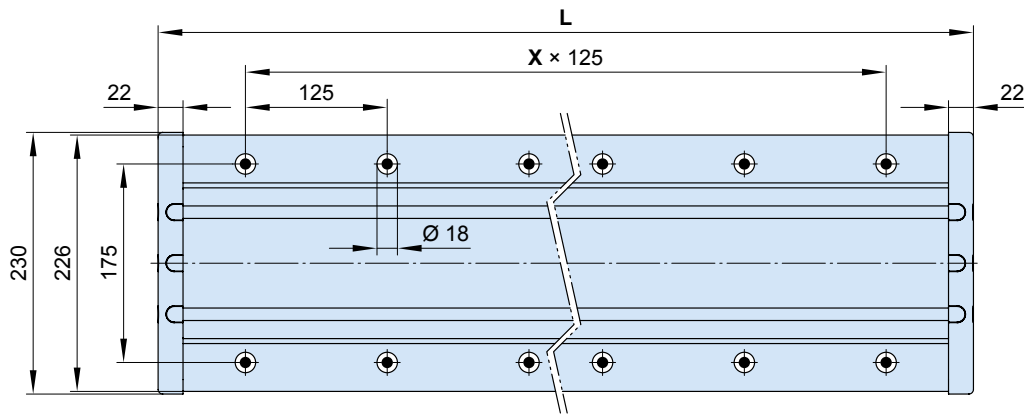
side cover profile coverboard
282 x 87 x 2 mm

Including 3 pan-head self-tapping screws for wall sealing profile

76469. and 3 x 735611

As a **continuous fixture profile** the markilux panel will always be supplied to order on the basis of a technical drawing prepared in the factory in accordance with the awning specification.

11

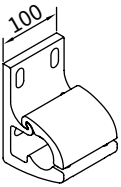


- L** = individual width, max. 7000 mm
- SD** = aluminium coverboard
- x** = fixing point separation, **by way of example**

dimensions in mm

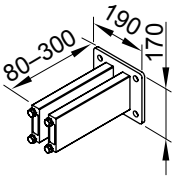
Face fixture with stand-off bracket

Fixtures, fittings and accessories



face fixture bracket
100 mm

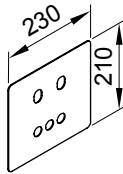
70867.



stand-off bracket
for face fixture
bracket 70867.

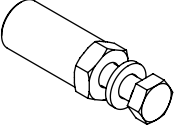
80-300 mm
incl. insulating element

77968.



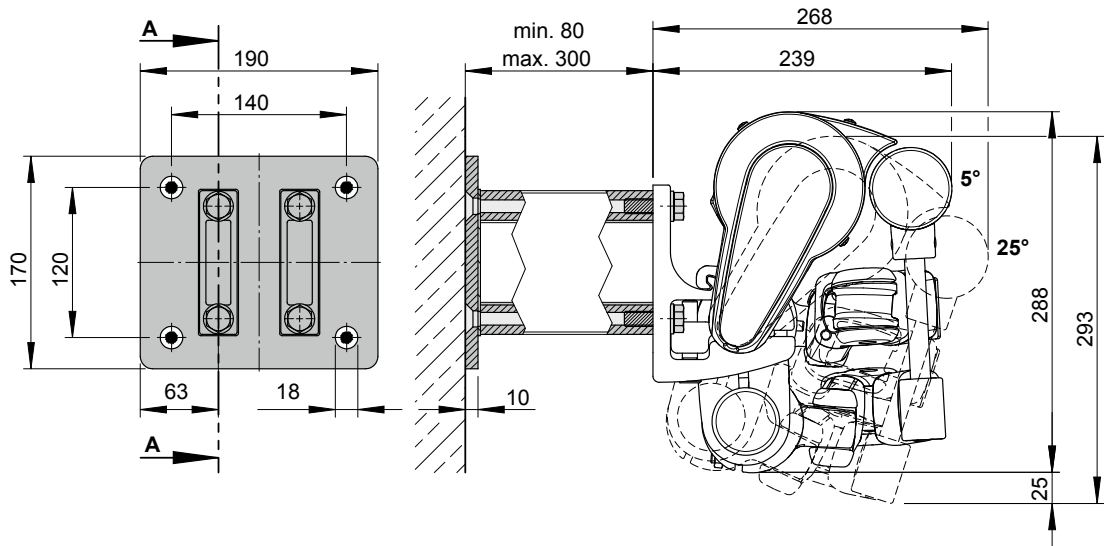
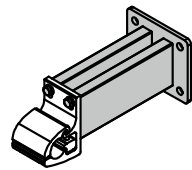
cover plate for spacer
plate and stand-off
brackets in the case of
external insulation
230 × 210 × 2 mm

71843.



reduction bolt
pack 10 pcs

M 16 → M 12 | M 16 → M 10 | M 12 → M 10 | M 10 → M 10

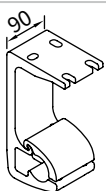


dimensions in mm

01
02
03
04
05
06
07
08
09
10
11
12
13
14
15
16
17

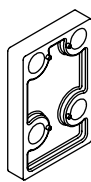
01 **Top fixture**

02 Fixtures, fittings and accessories



top fixture bracket
90 mm

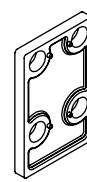
70868.



spacer plate for top
fixture
90 × 140 × 20 mm

716311

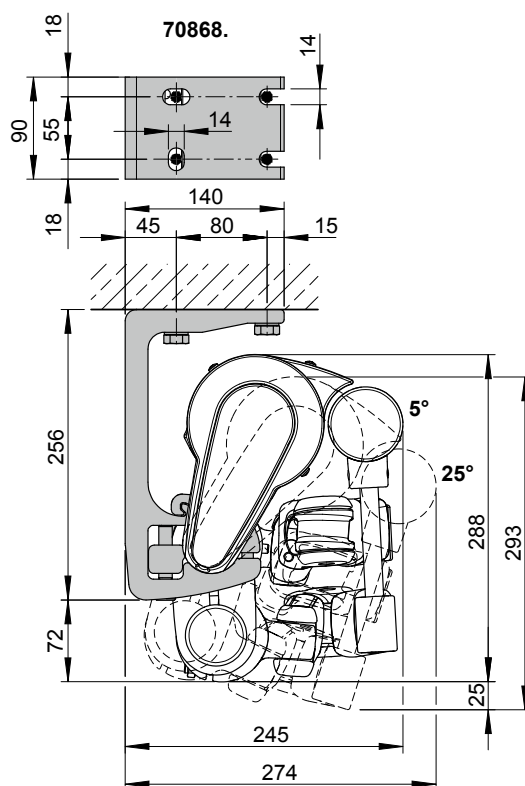
N.B!
Stack to a max. height
of 200 mm



spacer plate
for top fixture
90 × 140 × 12 mm

716411

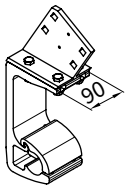
11



dimensions in mm

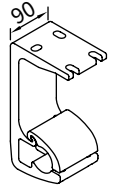
Eaves fixture

Fixtures, fittings and accessories



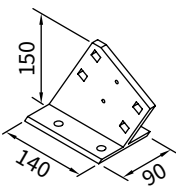
eaves fixture bracket complete
90 mm
height of flat plate
150 mm

70871.



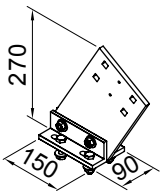
top fixture bracket
90 mm

70868.



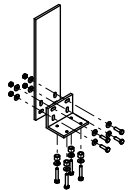
eaves fixture bracket
90 mm
height of flat plate
150 mm

71612.



eaves fixture bracket
90 mm
height of flat plate
270 mm

71659.

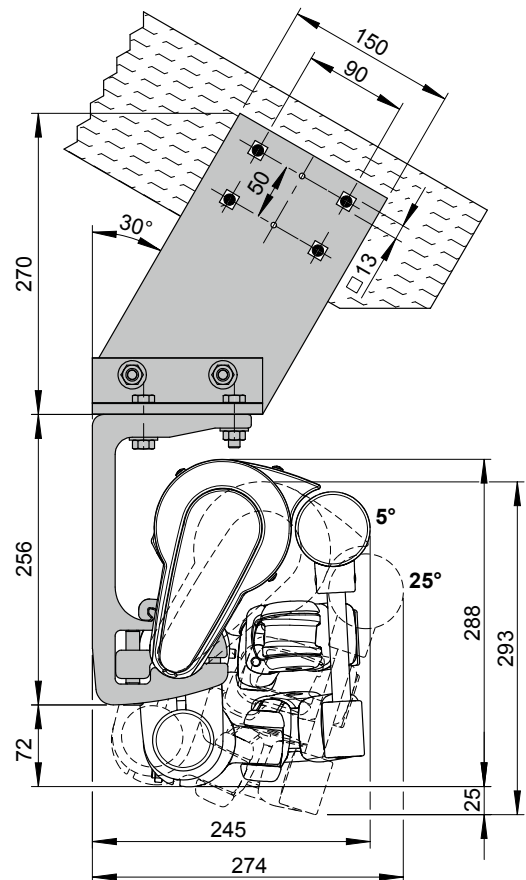
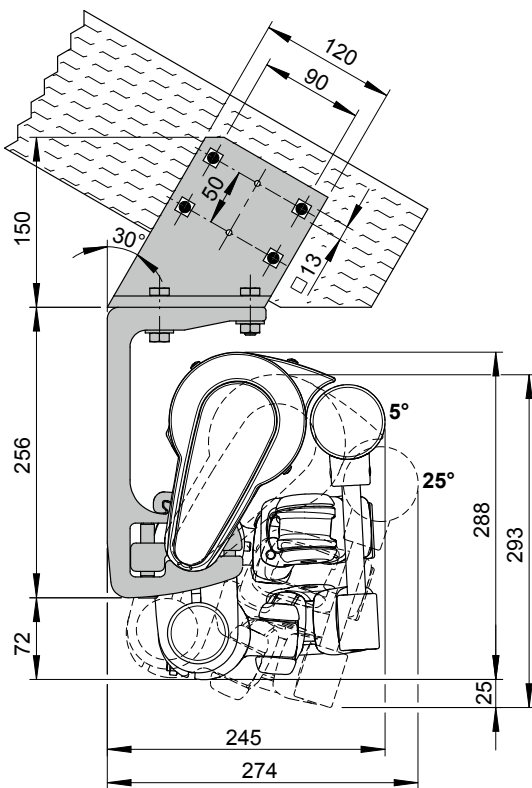


angle and plate for
eaves fixture
height of plate 500 mm
machine finish

716620

With eaves fixture bracket 150 mm (71612.)

With eaves fixture bracket 270 mm (71659.)

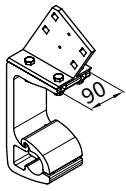


dimensions in mm

01
02
03
04
05
06
07
08
09
10
11
12
13
14
15
16
17

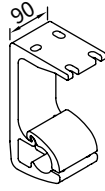
Eaves fixture with additional plate

Fixtures, fittings and accessories



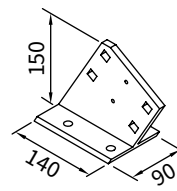
eaves fixture bracket complete
90 mm
height of flat plate
150 mm

70871.



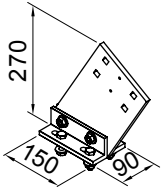
top fixture bracket
90 mm

70868.



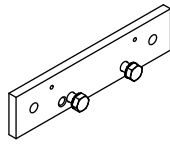
eaves fixture bracket
90 mm
height of flat plate
150 mm

71612.



eaves fixture bracket
90 mm
height of flat plate
270 mm

71659.



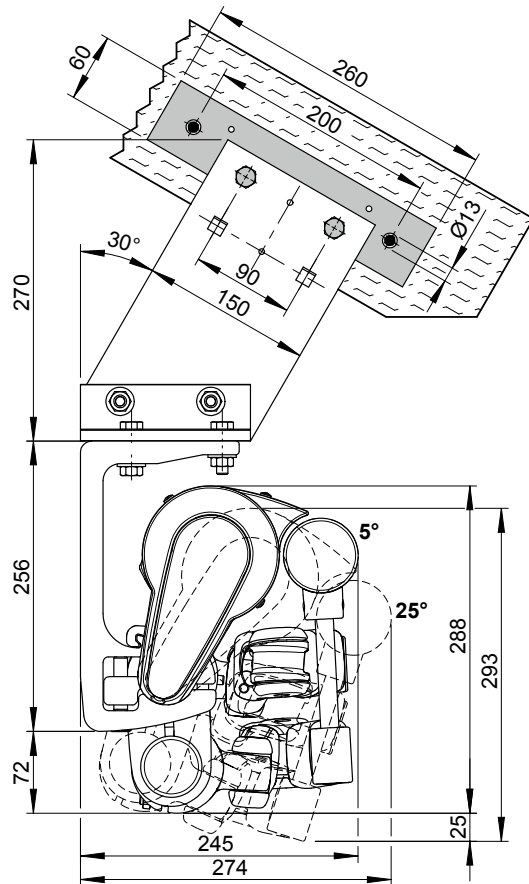
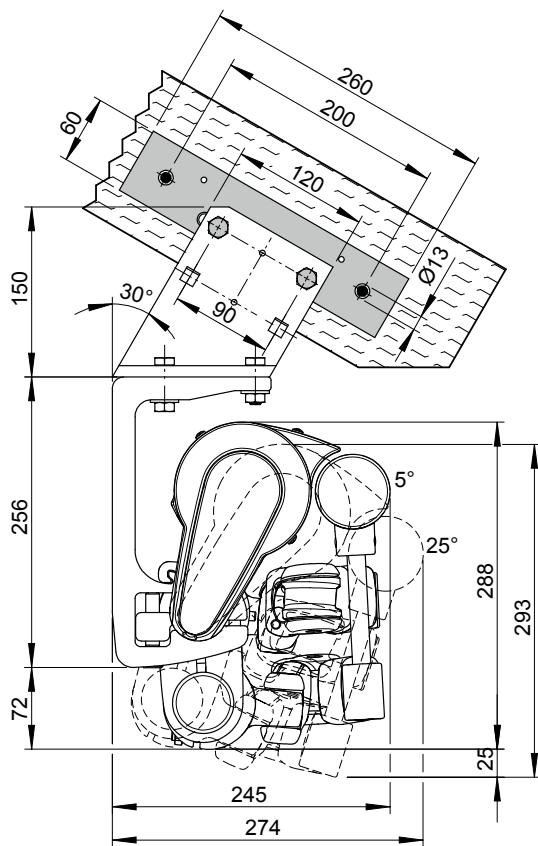
supplementary flat plate
for eaves fixture
260 × 60 × 12 mm

75383.

11

With eaves fixture bracket 150 mm (71612.)

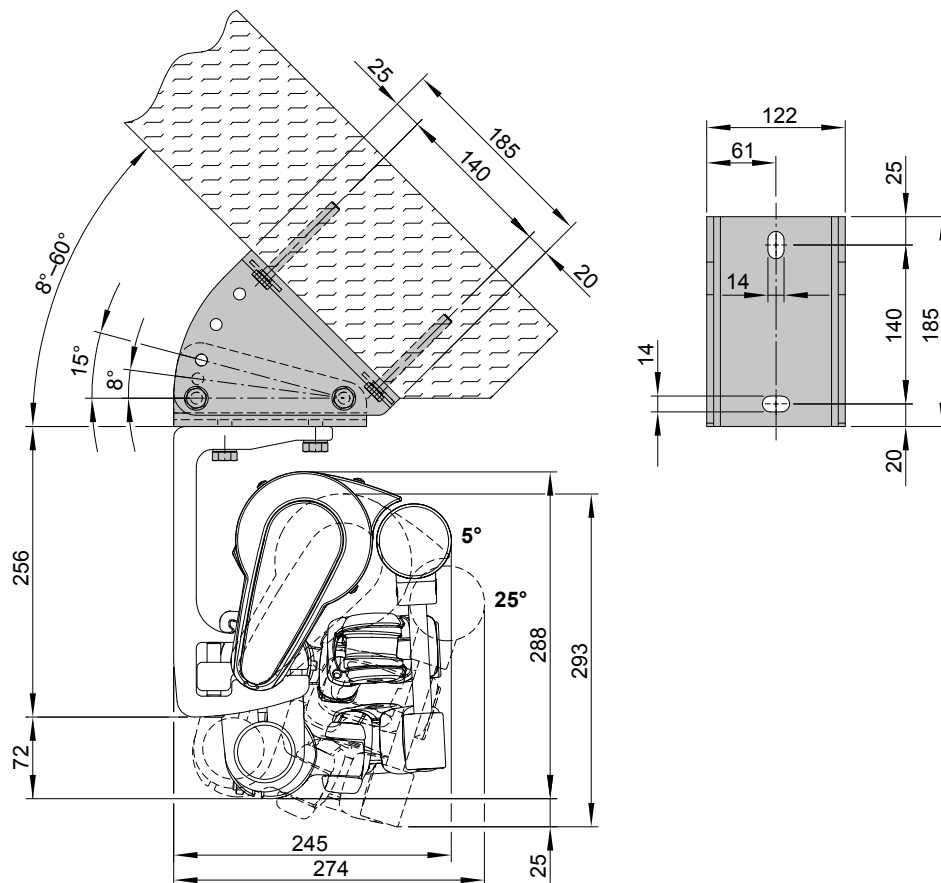
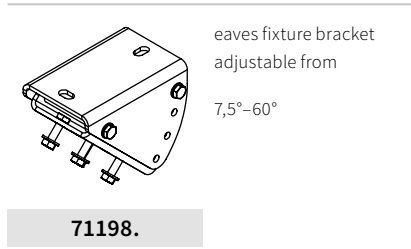
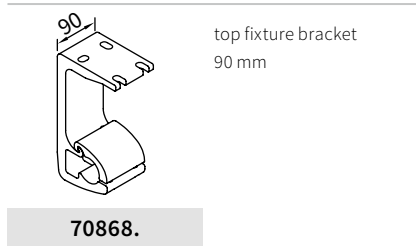
With eaves fixture bracket 270 mm (71659.)



dimensions in mm

Eaves fixture with adjustable eaves fixture bracket

Fixtures, fittings and accessories



dimensions in mm

01
02
03
04
05
06
07
08
09
10
11
12
13
14
15
16
17

01 **Face fixture, manual operation**

02 Dimensions at pitches between 5°-25°

03

04

05

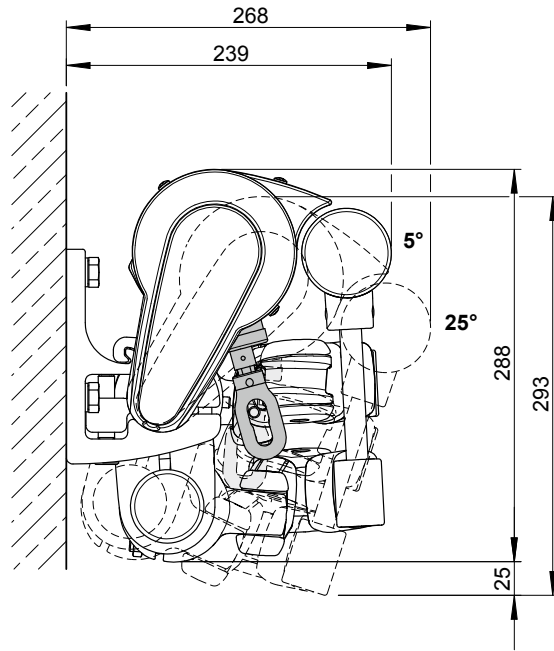
06

07

08

09

10



11

12

13

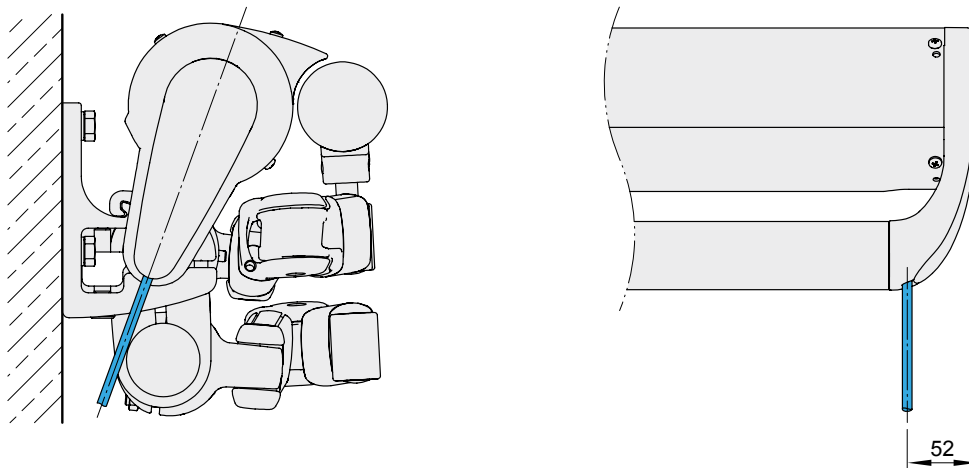
14

Motor cable exit point

15

16

17



SBI Ltd (Sun Blinds Installations) www.sbiproducts.co.uk

dimensions in mm