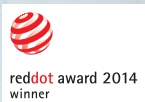




Honoured with:



Cassette awning

Cassita II

Cassita II LED

With its slim, purist design, the **Cassita II** is in perfect harmony with modern home interior trends. Despite its ultra-slim design, the cassette is packed with a wealth of technological innovations. The minimalist look of the two-point suspension system underlines the contemporary design. Its dimensions make the **Cassita II** the ideal sun protection system for most patio sizes.

SBI Ltd (Sun Blinds Installations)
www.sbiproducts.co.uk

UPDATE
june 2022

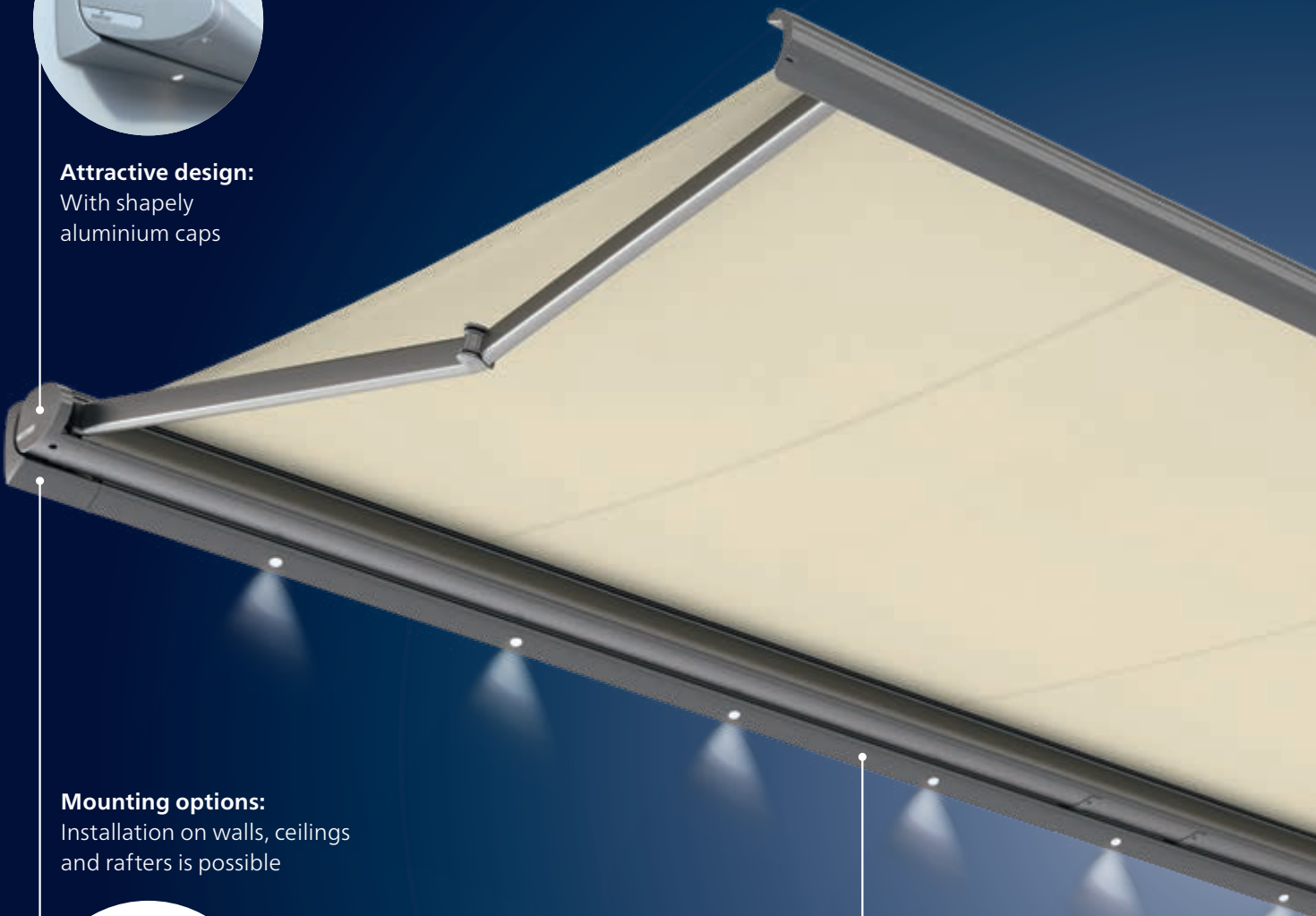
Page 95,
Note added

Page 96,
Option added

Pages 103 and 107,
Technical drawings added



Attractive design:
With shapely
aluminium caps



Mounting options:
Installation on walls, ceilings
and rafters is possible



Wall
mounting



Ceiling
mounting



Rafter mounting

Variant Cassita II LED:
Pleasant patio lighting



Cassita II Highlights



Slim cassette:
Can be installed
beneath the ceiling



Two-point mounting:
quick mounting, slimline
design

**Adjust the pitch to
any angle:**
Simple and safe

weinor LongLife arm:
Very durable and
low-noise



Cassita II Benefits



Slim design – with shapely aluminium caps

At just 12 cm high, the elegant weinor Cassita II cassette is especially slim. Nonetheless it houses all the technology and protects it reliably from the elements.

- New, purist design
- Harmonious, slim oval shape
- Beautifully-shaped aluminium caps with distinctive weinor logo
- Excellent protection for the fabric and fittings



Two-point mounting – elegant and quickly installed

The folding arms on the Cassita II are placed directly on the head-plates. This means that only two brackets are required to install the awning.

- Easy to install on a wall: just two wall mountings
- Highlights the overall elegance of the unit
- Screws are hidden from sight



Adjust the pitch to any angle – simple and safe

The Cassita II comes with a practical adjusting bracket on the awning cassette, making it especially easy to adjust the angle.

- Set to any angle from 5 – 45° by turning the cassette
- Easy to install
- Stays in place and remains stable even in surging winds



Cassita II LED – with flush patio lighting

The Cassita II LED provides pleasant lighting on your patio. The light bar matches the colour of the cassette and the spotlights are hidden out of sight.

- 30,000 hours of lighting with minimal energy consumption
- Highly energy-efficient
- Dimmable when used with BiConnect or Somfy io-homecontrol® radio control

Cassita II Technology

Cassita II versions	Cassita II	Cassita II LED
Technology		
Max. width	550 cm	550 cm
Max. projection	300 cm	300 cm
Cassette size (w x h) incl. standard bracket	266 x 155 mm	266 x 155 mm
Coupled systems	—	—
Gear drive*	○	—
Motor drive	● as standard	● as standard
Angle of pitch on awning	5° to 45°	5° to 45°
Installation alternatives	can be installed on walls, ceilings and rafters	
Lighting	—	● LED light bar
OptiNut roller tube	● as standard	● as standard
LongLife arm	● as standard	● as standard
Accessories		
Gap infill profile	○	—
Heating system Tempura/Tempura Quadra	○	○
BiSens Agido-3V product protection sensor	○	○
Controls		
Radio control	○	○
No remote	●	●
Weather sensors		
Sun/wind sensor BiConnect BiSens SW-230 V	○	○
Sun/wind sensor solar powered BiConnect BiSens SW-Solar+	○	○
Sun/wind/rain sensor BiConnect-BiSens-SWR-230V	○	○
Quality		
Tested up to	wind resistance class 2 according to DIN 13561 (wind strength 5 on the Beaufort scale)	

* A maximum pitch of 25° may be set.

● standard ○ optional — unavailable



Note:

Residual water on the inside, e.g. after a rain shower, can come out of the profiles during extension, even with a time delay.

Update

Cassita II Variants

Cassita II LED

LED lighting – 30,000 hours of lighting require minimal energy consumption

The select LED components represent the very best in weinor quality:

- Flush installation
- Atmospheric light thanks to special glass lenses
- Lighting remains on even when awning is retracted
- Highly energy-efficient
- Operating life of 30,000 hours
- Dimmable when used with BiConnect or Somfy io-home-control® radio control
- Easy to service: simply replace individual LED lights without uninstalling the awning



Integrated LED lighting

Awning width in cm	Number of separate LED spotlights	Awning width in cm	Number of separate LED spotlights
180 – 219	3	385 – 439	7
220 – 274	4	440 – 494	8
275 – 329	5	495 – 550	9
330 – 384	6		

Cassita II gap infill profile, option

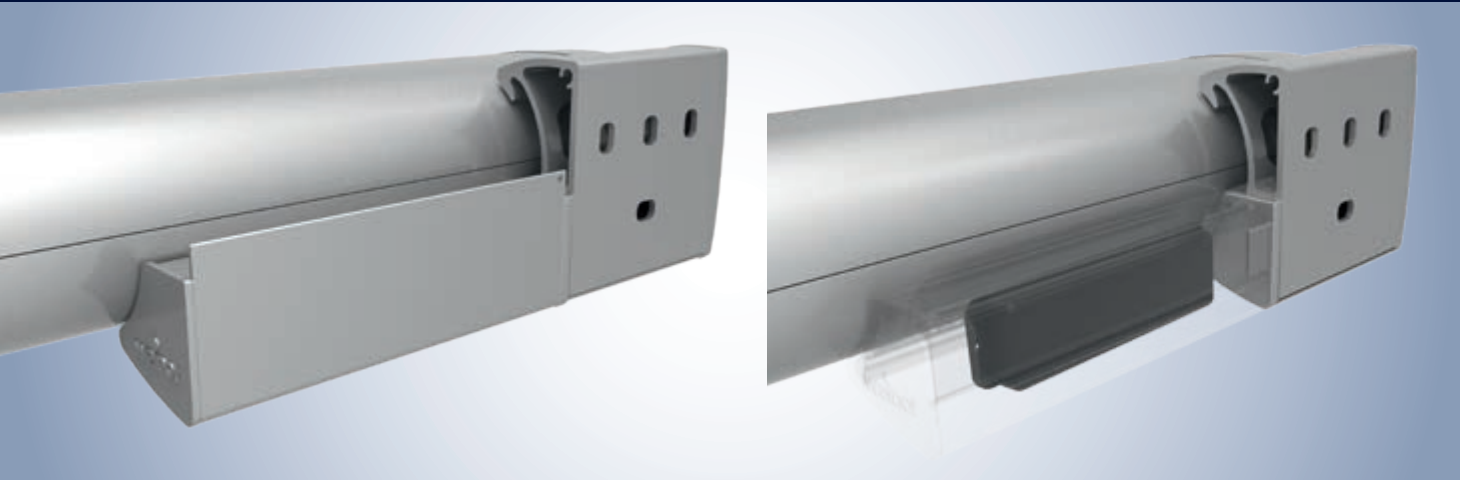
NEW!

The optional gap infill profile matches the colour of the awning and ensures a flush appearance against the wall. Electronic components such as the receiver box can be elegantly installed inside.



Cassita II Controls

Installation location for electrical components



The receiver box is installed flush with the wall bracket

Note:
There is less need for a bracket cover when ordering a BiConnect.

weinor BiConnect radio controller

Product	Electronics	BiConnect control	Remote receiver	Transmitter
Cassita II	Cassita II drive	<ul style="list-style-type: none"> • BiRec receiver integrated into cassette 	BiRec MA-K	<ul style="list-style-type: none"> • BiEasy 1M/5M/15M Go! hand transmitter • 1MW-3V wall transmitter
Cassita II LED	Cassita II drive and LED lighting	<ul style="list-style-type: none"> • BiRec combi-receiver for main drive and LED light bar (with integrated power supply pack) integrated into light bar • Dimmable LED 	BiRec MLED	<ul style="list-style-type: none"> • BiEasy 5M/15M Go! hand transmitter
Accessories (optional)	Tempura/Tempura Quadra heating system	<ul style="list-style-type: none"> • Dimmable, additional receiver required • Installation of the receiver in the design bar provided for this purpose or the Tempura Quadra box 	BiRec HD	<ul style="list-style-type: none"> • BiEasy 5M/15M Go! hand transmitter

Requires: awning with BiConnect remote control and sensors require a BiEasy 1M, 5M or 15M Go!

Cassita II Controls

Somfy io-homecontrol® radio technology

Product	Electronics	Somfy io-homecontrol control	Remote receiver	Transmitter
Cassita II	Cassita II drive	<ul style="list-style-type: none"> Somfy io remote-controlled motor integrated into cassette 	Somfy io remote-controlled motor	<ul style="list-style-type: none"> Situo 1 io Pure II/Situo 5 io Pure II/Situo 5 Variation A/M io Pure II hand transmitter Smoove 1 io Pure Shine wall transmitter
Cassita II LED	Cassita II drive and LED lighting	<ul style="list-style-type: none"> Somfy io remote-controlled motor integrated into cassette Additional Somfy receiver for the LED light bar (with downstream power supply pack) integrated into light bar LED dimmable 	Somfy io remote-controlled motor and Lighting Receiver Variation io (dimmable)	<ul style="list-style-type: none"> Situo 5 io Pure II/Situo 5 Variation A/M io Pure II hand transmitter
Accessories (optional)	Tempura/Tempura Quadra heating system	<ul style="list-style-type: none"> Dimmable, additional receiver required Installation of the receiver in the design bar provided for this purpose or the Tempura Quadra box 	Heating Receiver Variation io 1.5 kW STAS3/STAK3 (dimmable)	<ul style="list-style-type: none"> Situo 5 io Pure II/Situo 5 Variation A/M io Pure II hand transmitter Smoove 1 io Pure Shine wall transmitter

Somfy RTS radio technology

Product	Electronics	Somfy RTS control	Remote receiver	Transmitter
Cassita II	Cassita II drive	<ul style="list-style-type: none"> Somfy RTS remote-controlled motor integrated into cassette 	Somfy RTS remote-controlled motor	<ul style="list-style-type: none"> Situo 1 RTS Pure II/Situo 1 Soliris RTS Pure II/Situo 5 RTS Pure II/Situo 5 Soliris RTS Pure II hand transmitter Smoove 1 RTS Pure Shine wall transmitter
Cassita II LED	Cassita II drive and LED lighting	<ul style="list-style-type: none"> Somfy RTS remote-controlled motor integrated into cassette Additional Somfy receiver for the LED light bar (with downstream power supply pack) integrated into light bar LED not dimmable 	Somfy RTS remote-controlled motor and Lighting Slim Receiver RTS	<ul style="list-style-type: none"> Situo 5 RTS Pure II/Situo 5 Soliris RTS Pure II hand transmitter
Accessories (optional)	Tempura/Tempura Quadra heating system	<ul style="list-style-type: none"> Not dimmable, additional receiver required Installation of the receiver in the design bar provided for this purpose or the Tempura Quadra box 	Heating Slim Receiver RTS Plug	<ul style="list-style-type: none"> Situo 5 RTS Pure II/Situo 5 Soliris RTS Pure II hand transmitter

Note:

Please see the "Accessories" technical brochure for further details regarding the drive and control.

Some options are subject to a surcharge. For prices, please refer to the weinor awnings price list.

Hard wired with Somfy control

Product	Electronics	Hard wired Somfy control	Control
Cassita II	Cassita II drive	<ul style="list-style-type: none"> • Somfy control for awning drive 	e.g. Soliris Smoove Uno
Cassita II LED	Cassita II drive and LED lighting	<ul style="list-style-type: none"> • Somfy control for awning drive • Switch on site for the LED light bar • LED power supply pack integrated into light bar • LED not dimmable 	e.g. Soliris Smoove Uno and suitable light switch (on site)
Accessories (optional)	Tempura/Tempura Quadra heating system	<ul style="list-style-type: none"> • Not dimmable 	Suitable switch (on site)

Hard wired (existing switch/power supply on site)

Product	Electronics	Hard wired control	Control
Cassita II	Cassita II drive	<ul style="list-style-type: none"> • Awning switch for the awning drive 	e.g. double rocker switch switch (on site)
Cassita II LED	Cassita II drive and LED lighting	<ul style="list-style-type: none"> • Awning switch for the awning drive • Switch on site for the LED light bar • LED power supply pack integrated into light bar • LED not dimmable 	e.g. double rocker switch and suitable light switch (on site)
Accessories (optional)	Tempura/Tempura Quadra heating system	<ul style="list-style-type: none"> • Not dimmable 	Suitable switch (on site)

Gear drive (optional)

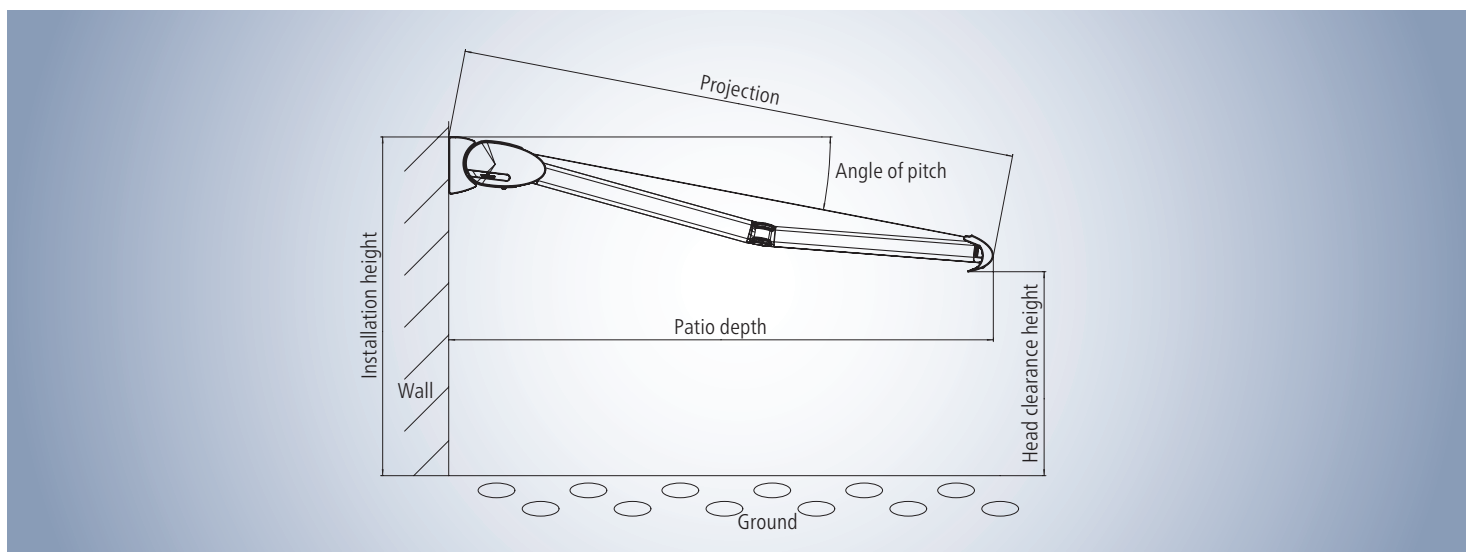


The Cassita II can, of course, also be extended and retracted using a crank. This option is recommended whenever it is hard to connect to an electrical power source on the site or if the awning is not frequently used.

The weinor Cassita II has a universal bevel gear system

- With an end stop that can be set from outside
- Tested according to DIN EN 14203
- Freewheel device when extended
- A maximum pitch of 25° may be set.

Cassita II Planning



Site measurements – determining the projection and head clearance height

- Find the projection by looking in the “Projection” table for the terrace depth.
- Using the projection from the table and the required angle of pitch, consult the “head clearance height” table for the head clearance height. This head clearance height refers to an installation height of 300 cm.
- Add/subtract the difference between 300 cm and the actual installation height to/from the head clearance height in the table.

Determining the projection

Angle of pitch	Terrace depth in cm			
	150	200	250	300
5°	150	200	250	300
15°	160	210	260	300
25°	170	220	280	300

Projection in cm (rounded figures)

This table can be used to find the awning projection for any given horizontal patio depth.

Determining the head clearance height

Angle of pitch	Projection in cm			
	150	200	250	300
5°	280	270	270	260
15°	250	240	230	210
25°	230	210	180	160

Head clearance height in cm (rounded figures)

This table is used to find the head clearance heights for various projections when the angle of pitch is 5°, 15° or 25°.

This table is based on the example of an installation height of 300 cm (upper edge of awning).

Wall bracket

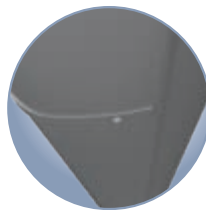
Sizes and bracket recommendations

Wall mounting on pressure-resistant surface

Minimum number of required wall brackets so that the function of the awning is ensured, regardless of the mounting surface. Selection of the brackets using the weinor bracket overview and using the maximum extraction forces of the fixings used!

Width in cm	Diagonal in 10 cm steps			
	up to 150	160-200	210-250	260-300
up to 200	2			
201-250	2	2		
251-300	2	2	2	
301-350	2	2	2	2
351-400	2	2	2	2
401-450	2	2	2	2
451-500	2	2	2	2
501-550	2	2	2	2

2 2x wall bracket 150 mm



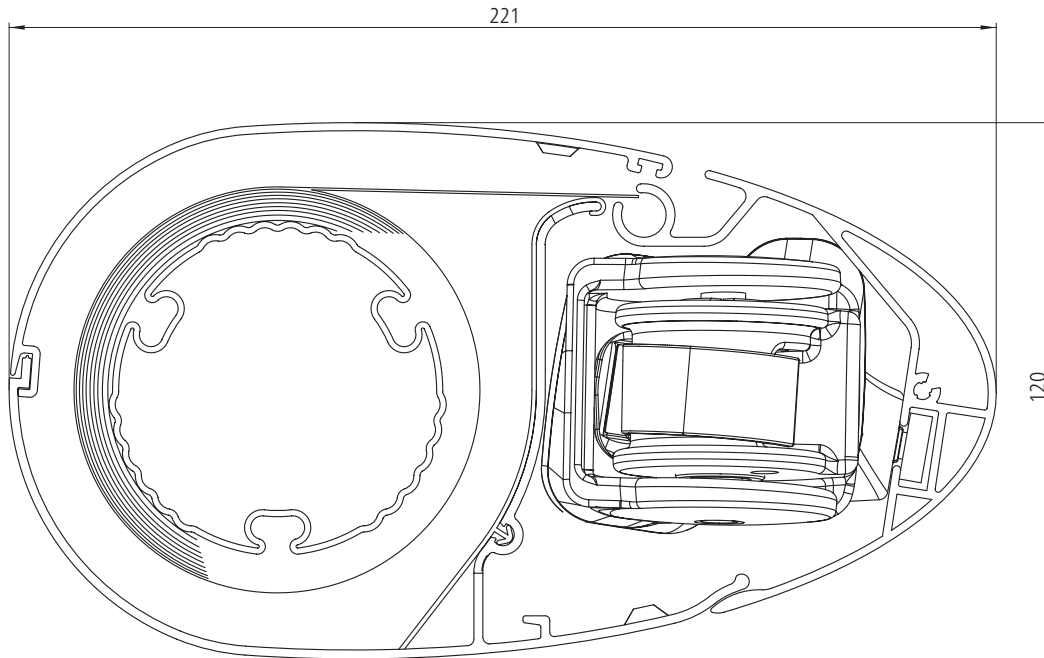
Two housing clips are always used for widths of 451 cm and higher. These are positioned 75 cm to the left and right of the centre of the cassette.

Observe size limits; unit must have 23 cm more width than projection!

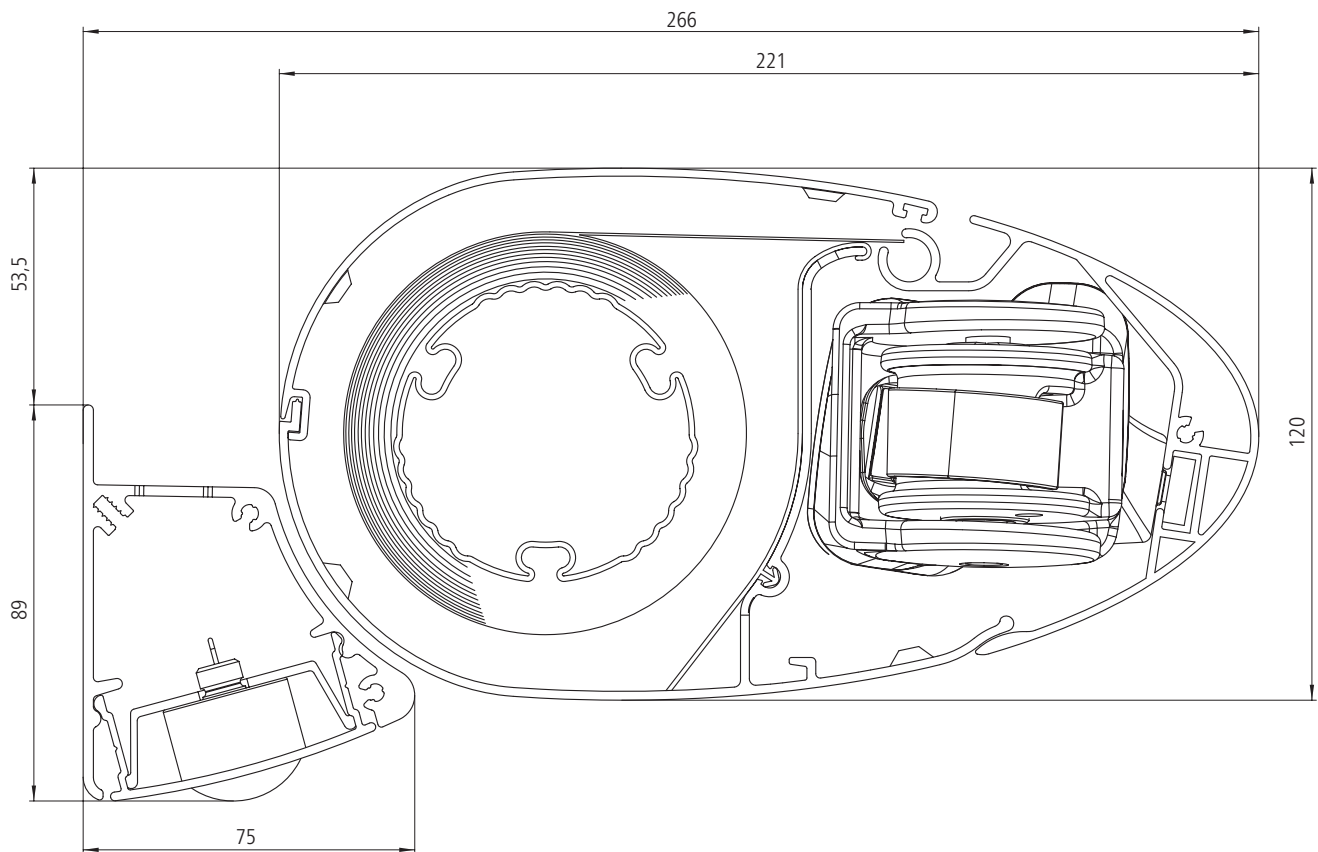


Cross-sections

weinor Cassita II



weinor Cassita II LED



Cassita II Installation

Installation on walls, ceilings and rafters is possible

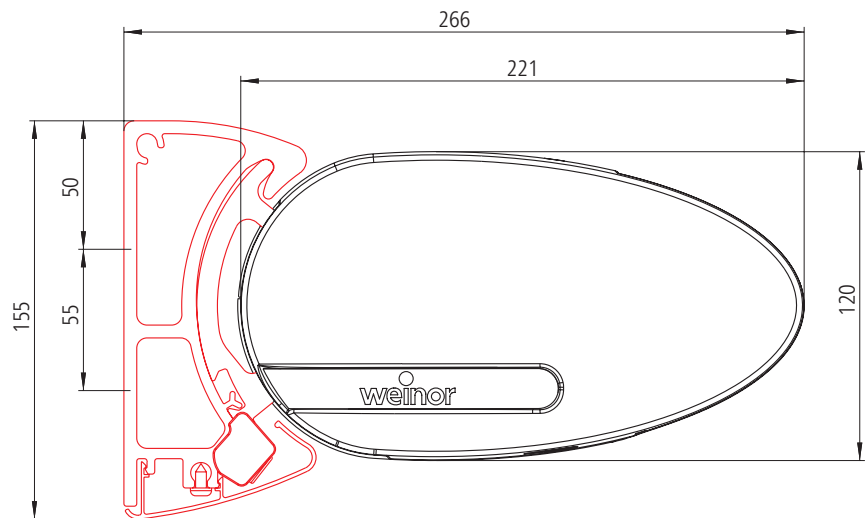
01

Its construction means that the weinor Cassita II can be mounted in a wide range of ways: not only on walls but also ceilings or rafters. The brackets and mounting plates are made of extruded, powder-coated aluminium.

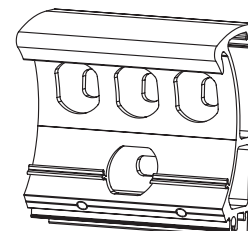
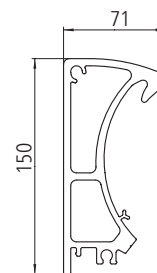
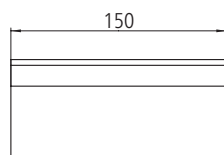
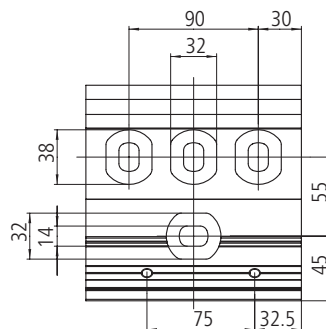
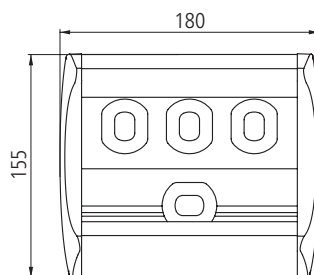
Wall mounting – brackets



Wall bracket



Wall bracket 150 mm (180 mm)



Cassita II Installation

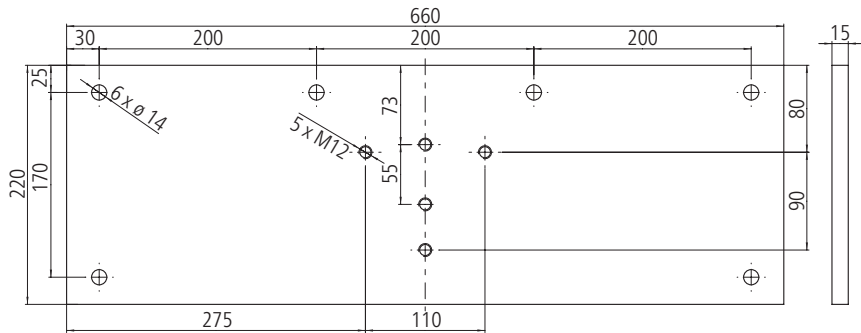
Wall mounting – mounting plates



Mounting plate, 660 x 220 x 15 mm + standard wall bracket



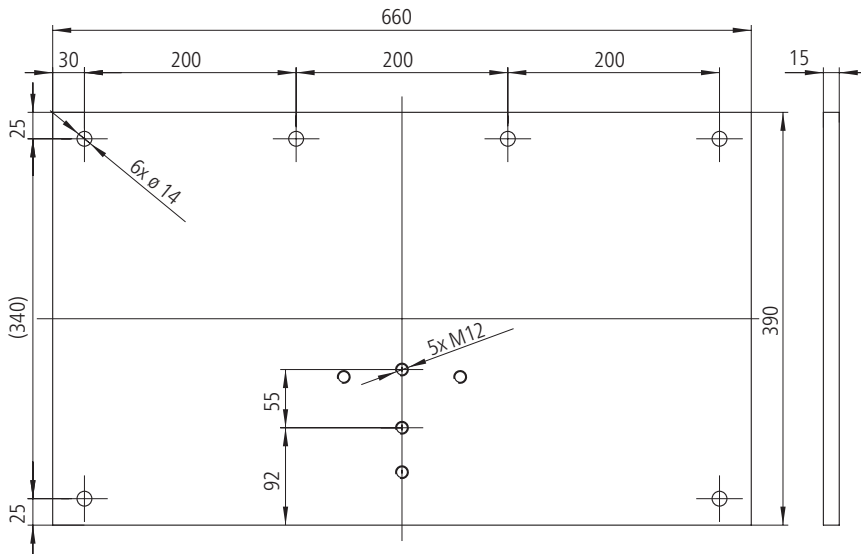
Position of the mounting plates using the Cassita II 500 x 300 cm* as an example.



Mounting plate, 660 x 390 x 15 mm + standard wall bracket



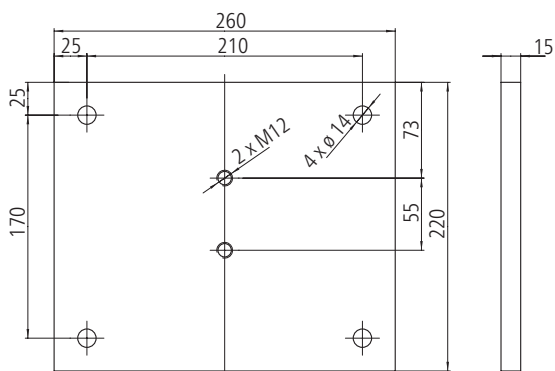
Position of the mounting plates using the Cassita II 500 x 300 cm* as an example.



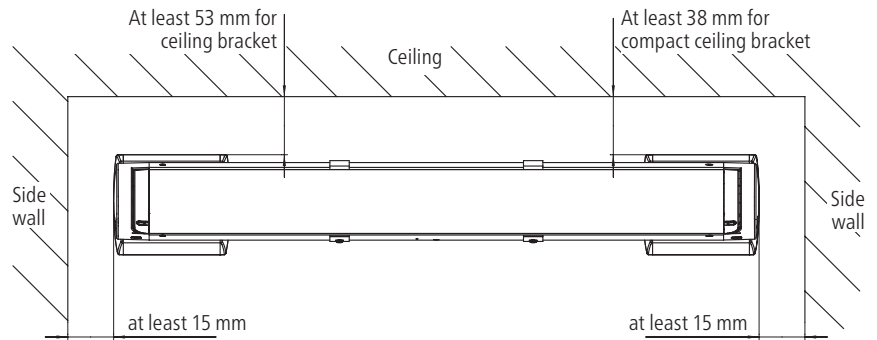
* Depending on the width of the awning, the positioning of the mounting plates may vary.



Mounting plate, 260 x 220 x 15 mm + standard wall bracket



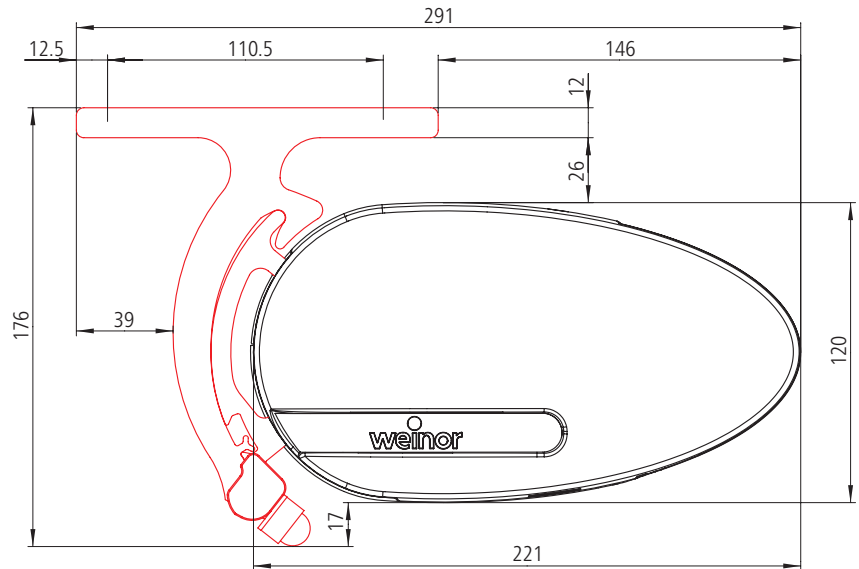
Minimum spacing distances for installation



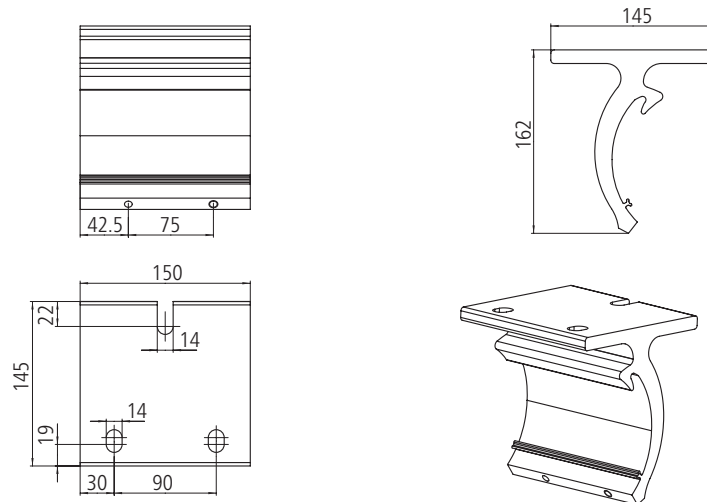
Ceiling installation I



Compact ceiling installation: a stable, elegant solution (not possible with Cassita II LED and gap infill profile)



Ceiling bracket compact

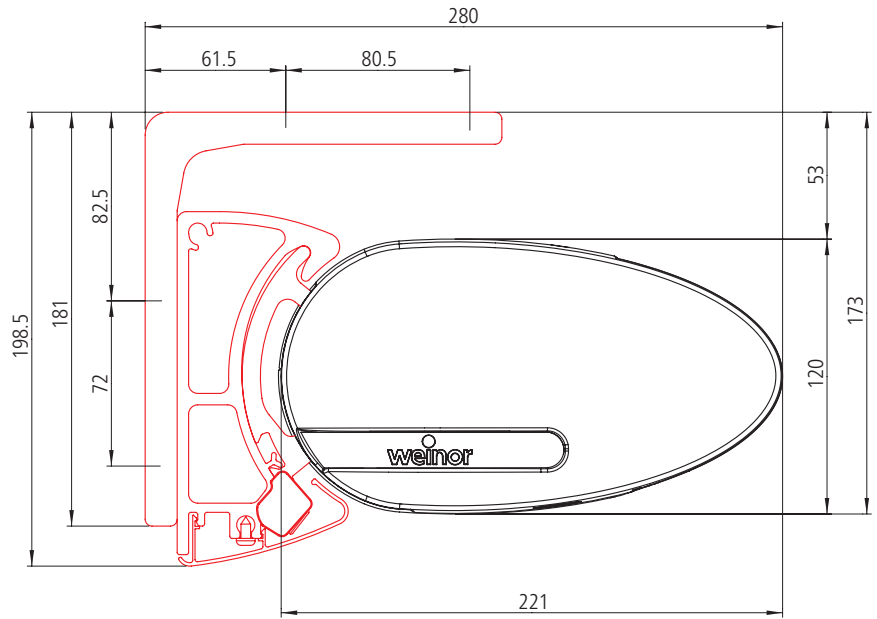


Cassita II Installation

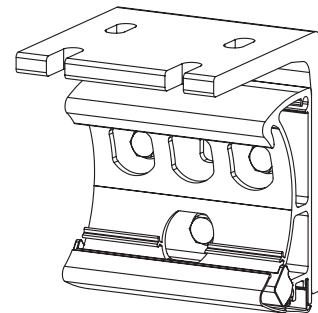
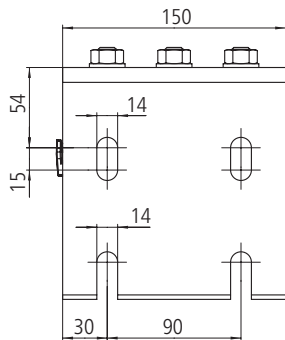
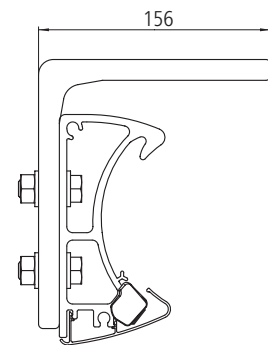
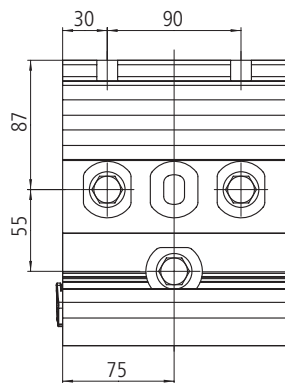
Ceiling installation II



Ceiling installation specifically for Cassita II LED: with wall bracket and ceiling angle



Ceiling angle with wall bracket 150 mm



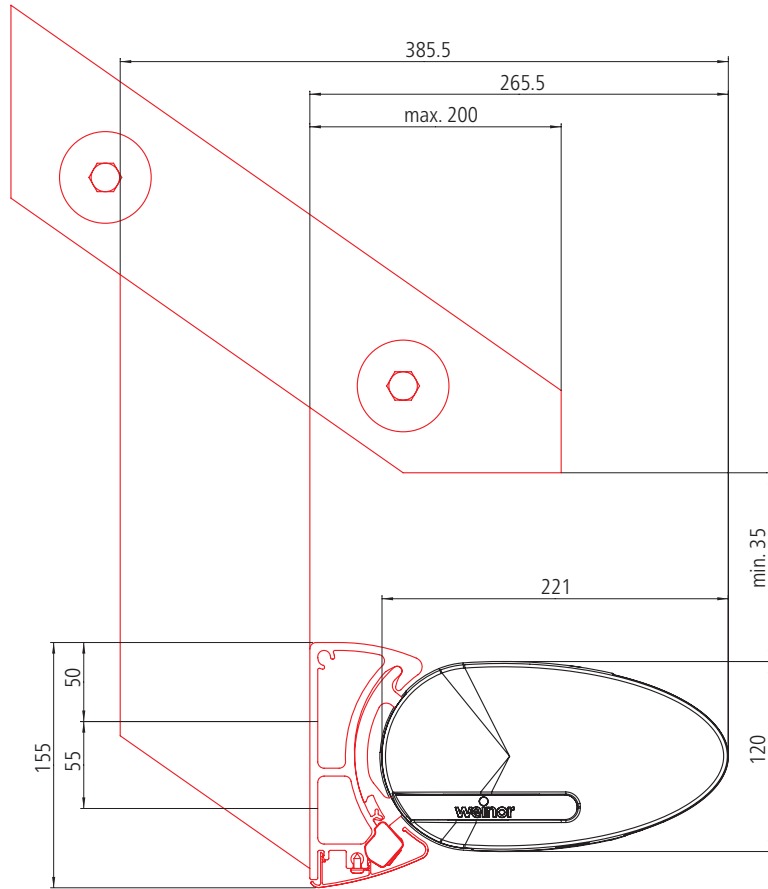
Rafter mounting



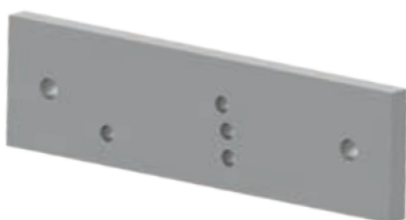
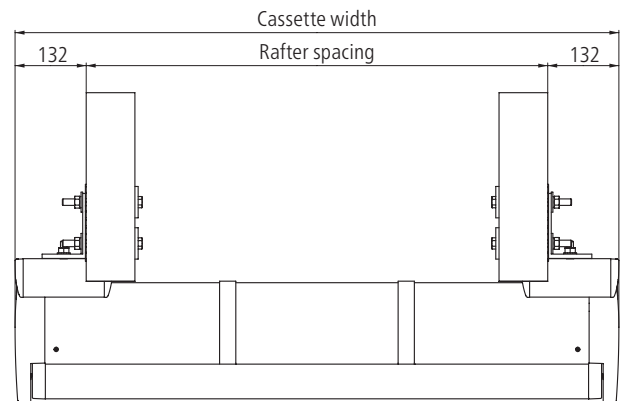
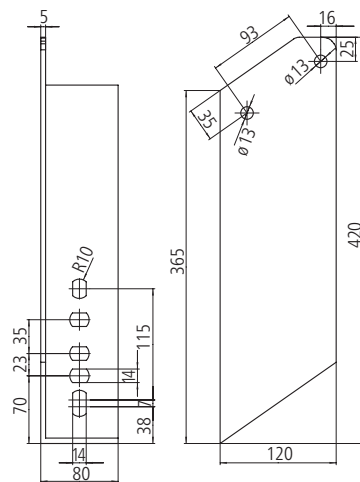
Installation on rafters using rafter bracket, mounting plate and wall bracket, 150 mm wide



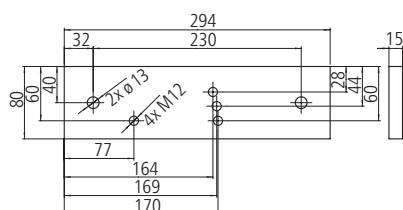
Rafter bracket and wall bracket, without mounting plate



Rafter bracket (right)



Mounting plate for rafter bracket
294 x 80 x 15 mm





Extraction forces

The extraction force is the force with which the awning weight and the wind load pull on each upper and/or front fixing. The tables indicate this force in N per upper fixing. It varies depending on the awning size and the wall bracket / mounting plate used.

Selecting the wall bracket and anchoring system:

1. Consult relevant table for extraction force per fixing for selected awning size.
2. Select a wall bracket / mounting plate for which there is fixing material which can resist the indicated extraction force. Remember to take into account the spacing, the area which will be damaged if the fixing breaks out, the type of fixing material used and the mounting base.

Use the separate bracket overview for an exact planning of the awning attachment.

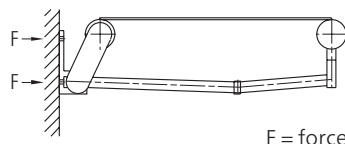
Extraction force in N per upper fixing for wall mounting

Wall mounting with up to 200 mm facing (non-pressure-resistant surface)

Please observe the width to projection dimension limits

-  1 x standard wall bracket 150 mm
Number of fixings: 6
-  1 x mounting plate 260 x 220 x 15 mm incl.
1 x standard wall bracket 150 mm
Number of fixings: 8
-  1 x mounting plate 660 x 220 x 15 mm incl.
1 x standard wall bracket 150 mm
Number of fixings: 12
-  1 x mounting plate 660 x 390 x 15 mm incl.
1 x standard wall bracket 150 mm
Number of fixings: 12

Width in cm	Projection in cm			
	150	200	250	300
200	915	1386		
	300	453		
	150	227		
	75	113		
250	1087	1649	2380	
	356	539	777	
	178	269	388	
	89	135	194	
300	1258	1911	2749	3666
	412	625	897	1195
	206	312	449	597
	103	156	224	299
350	1430	2173	3119	4161
	469	710	1018	1356
	234	355	509	678
	117	178	255	339
400	1602	2435	3489	4656
	525	796	1139	1518
	262	398	569	759
	131	199	285	379
450	1774	2697	3859	5151
	581	881	1259	1679
	291	441	630	840
	145	220	315	420
500	1946	2959	4229	5646
	637	967	1380	1841
	319	484	690	920
	159	242	345	460
550	2118	3221	4599	6141
	694	1053	1501	2002
	347	526	750	1001
	173	263	375	501



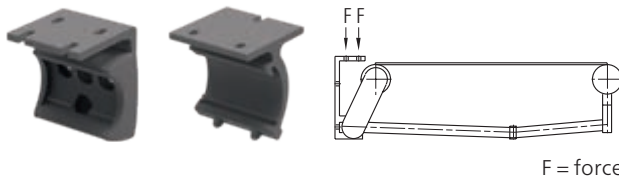
Extraction forces / Shear forces

Extraction force in N per front fixing for ceiling mounting

Please observe the width to projection dimension limits

- 1 x ceiling angle 150 mm incl.
1 x standard wall bracket 150 mm,
Number of fixings: 8
- 1 x compact ceiling bracket 150 mm
Number of fixings: 8

Width in cm	Projection in cm			
	150	200	250	300
200	435	646		
	467	690		
250	514	765	1092	
	551	816	1161	
300	593	883	1259	1669
	635	942	1338	1771
350	671	1002	1425	1892
	720	1068	1515	2006
400	750	1121	1592	2115
	804	1194	1691	2242
450	828	1239	1759	2337
	888	1321	1868	2478
500	907	1358	1925	2560
	972	1447	2045	2713
550	986	1476	2092	2782
	1056	1573	2222	2949



Shear forces in N per fixing for rafter mounting

Please observe the width to projection dimension limits

- 1 x rafter bracket incl.
1 x standard wall bracket 150 mm,
each for left- and right-hand side
- 1 x rafter bracket mit
1 x mounting plate für Dachsparren
incl.
1 x standard wall bracket 150 mm,
each for left- and right-hand side

Width in cm	Projection in cm			
	150	200	250	300
200	1192	1759		
	537	769		
250	1409	2085	2964	
	631	907	1266	
300	1626	2410	3418	4513
	725	1044	1455	1901
350	1844	2735	3872	5117
	818	1182	1645	2151
400	2061	3061	4326	5721
	912	1319	1835	2402
450	2279	3386	4780	6324
	1006	1457	2024	2652
500	2496	3711	5234	6928
	1100	1594	2214	2902
550	2714	4037	5688	7532
	1194	1732	2404	3152



In the case of rafter mounting, the fixings are included in the order.
weinor recommends the use of rafter brackets with mounting plate!

